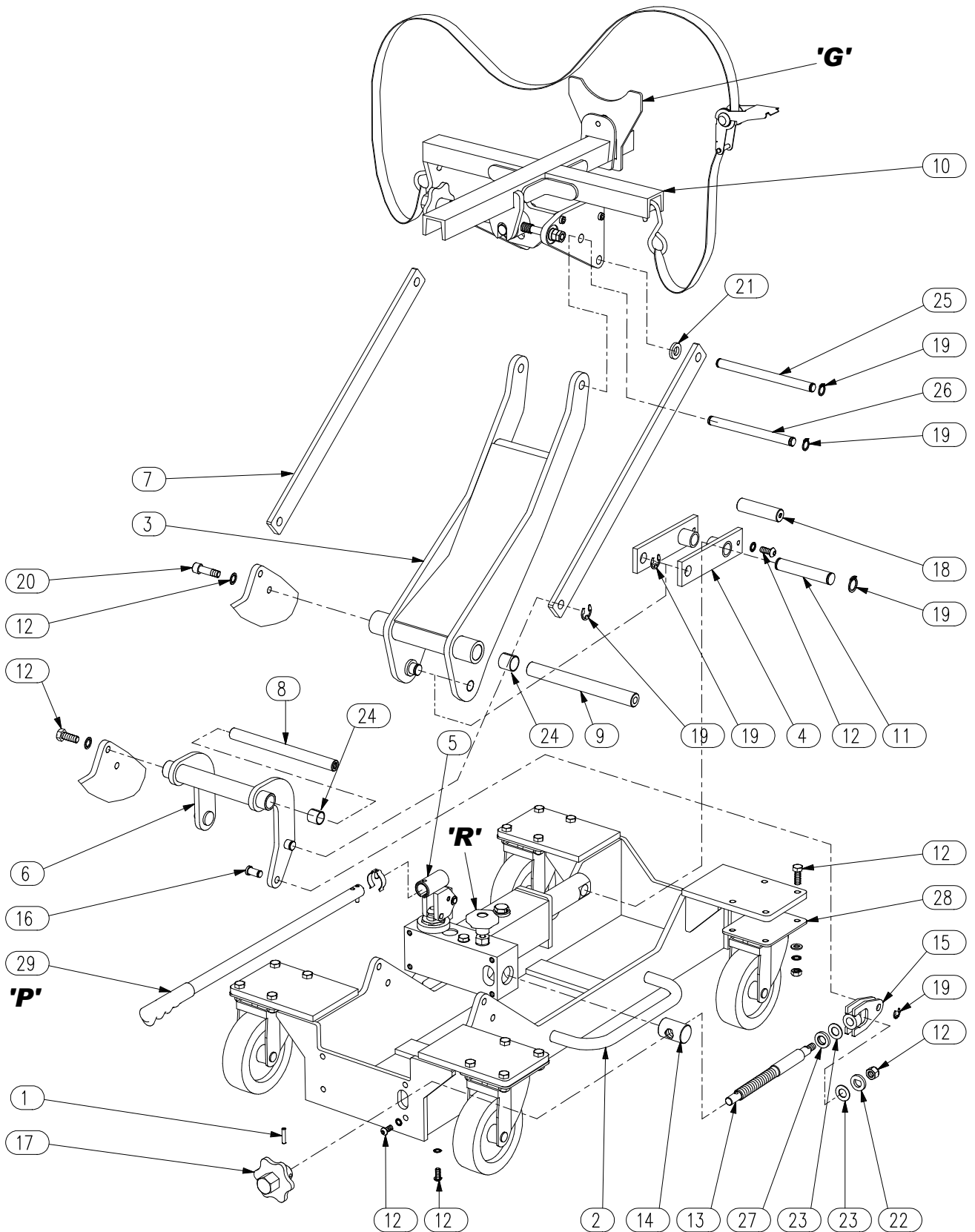


FTJ 1000 TRANSMISSION TROLLEY JACK

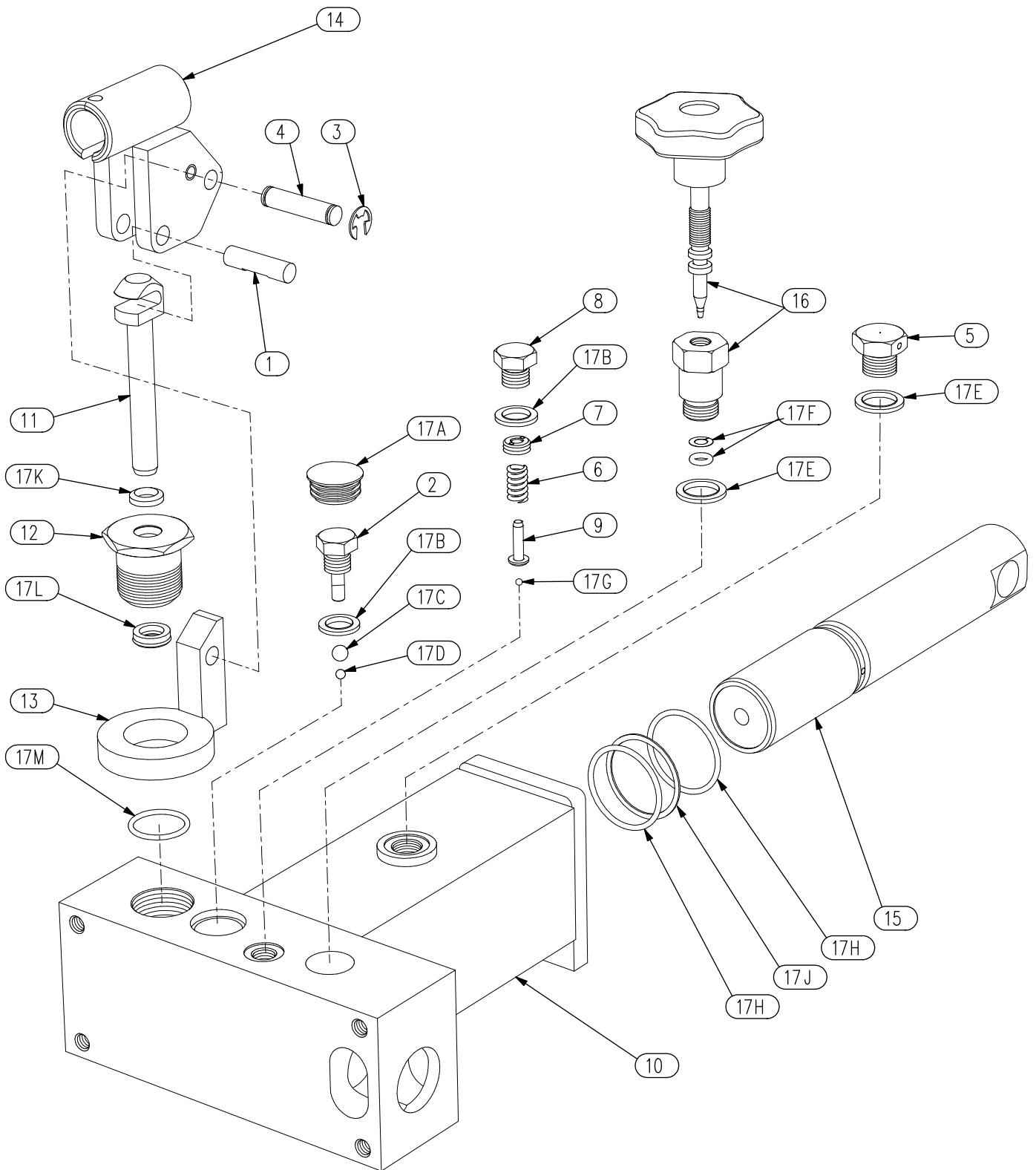
Part Number 9400



FTJ 1000 TRANSMISSION TROLLEY JACK
Part Number 9400

<u>ITEM No.</u> <u>No.</u>	<u>DESCRIPTION</u>	<u>QTY</u>	<u>PART</u>
1	ROLL PIN	1	183409
2	FRAME ASSEMBLY	1	9401
3	LIFTING BEAM ASSEMBLY	1	9402
4	LIFTING LINK	2	9403
5	POWER PACK ASSEMBLY	1	9404
6	PITCH CONTROL YOKE ASSEMBLY	1	9405
7	COMPENSATING ARM	2	9406
8	YOKE PIVOT PIN	1	9407
9	LIFTING BEAM PIVOT PIN	1	9408
10	TILT HEAD ASSEMBLY	1	9410
11	RAM PIVOT PIN	1	9411
12	BOLT KIT	1	9412
13	TILT SCREW	1	9413
14	TILT SCREW TRUNION	1	9414
15	TILT SCREW CLEVIS ASSEMBLY	1	9416
16	TILT SCREW CLEVIS PIN	1	9417
17	TILT SCREW HAND WHEEL ASSEMBLY	1	9418
18	LIFTING LINK BRACE	1	9419
19	FRAME CIRCLIP SET	1	9420
20	SPECIAL BOLT FOR LIFTING BEAM PIVOT PIN	2	9421
21	TILT HEAD SPACER	2	9422
22	WASHER – REAR PITCH THRUST	1	9423
23	THRUST WASHER SET	1	9424
24	BUSH SET	1	9425
25	COMPENSATING PIVOT PIN	1	9426
26	PITCH PIVOT PIN	1	9427
27	WASHER – PITCH THRUST	1	9428
28	SWIVEL CASTOR	4	955105
29	HANDLE ASSEMBLY	1	955309

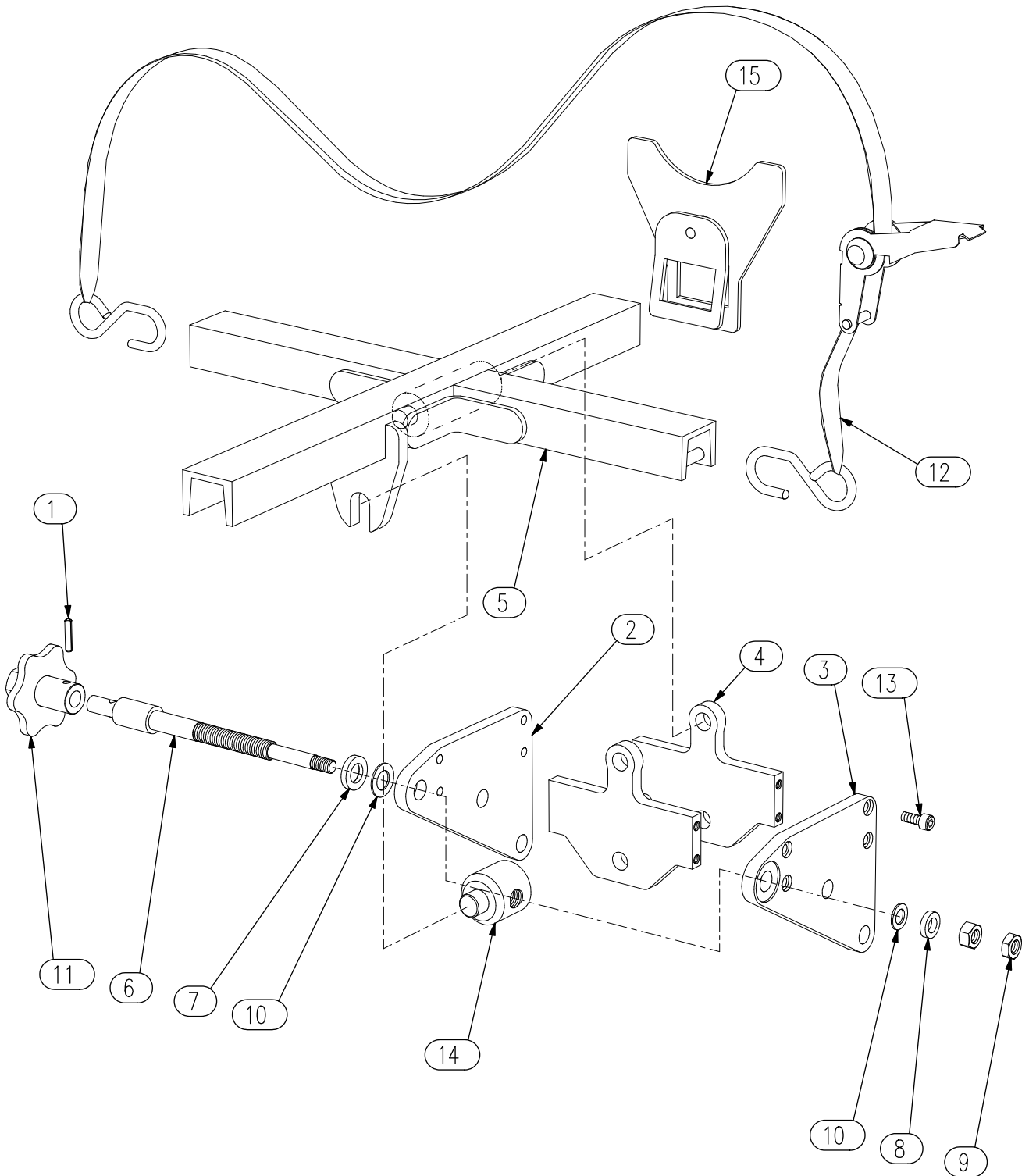
HAND PUMP ASSEMBLY
FTJ 1000 TRANSMISSION TROLLEY JACK
Part Number 9404



**HAND PUMP ASSEMBLY
FTJ 1000 TRANSMISSION TROLLEY JACK
Part Number 9404**

<u>ITEM No.</u> <u>No.</u>	<u>DESCRIPTION</u>	<u>QTY</u>	<u>PART</u>
1	PLUNGER PIN	1	5004
2	DELIVERY VALVE PLUG	1	5006
3	HANDLE CIRCLIP	2	5606
4	HANDLE PIVOT PIN	1	5607
5	FILLER PLUG	1	7819
6	RELIEF VALVE SPRING	1	110314
7	RELIEF VALVE COLLAR	1	110315
8	RELIEF VALVE PLUG	1	110316
9	RELIEF VALVE PISTON	1	130313
10	VALVE BLOCK / RESERVOIR ASSEMBLY	1	940401
11	PUMP PLUNGER	1	940402
12	PLUNGER GLAND	1	940403
13	FULCRUM BRACKET	1	940404
14	PUMP LEVER ASSEMBLY	1	940405
15	PISTON ROD	1	940406
16	SHUT OFF VALVE ASSEMBLY	1	940409
17	SEAL KIT Comprising Items 17A to 17M	1	94K
17A	<i>Plastic Plug</i>)	1	
17B	<i>Bonded Washer</i>)	2	
17C	<i>Delivery Ball</i>)	1	
17D	<i>Suction Ball</i>)	1	
17E	<i>Bonded Washer</i>)	2	
17F	<i>'O' Rings & AE Ring</i>)	1	
17G	<i>Relief Valve Ball</i>)	1	<i>Parts of Item 17</i>
17H	<i>'O' Ring</i>)	2	
17J	<i>'AE' Ring</i>)	1	
17K	<i>Wiper Ring</i>)	1	
17L	<i>'U' Ring</i>)	1	
17M	<i>'O' Ring</i>)	1	

TILT HEAD ADAPTOR
FTJ 1000 TRANSMISSION TROLLEY JACK
Part Number 9410



**TILT HEAD ADAPTOR
FTJ 1000 TRANSMISSION TROLLEY JACK
Part Number 9410**

<u>ITEM No.</u> <u>No.</u>	<u>DESCRIPTION</u>	<u>QTY</u>	<u>PART</u>
1	ROLL PIN	1	183409
2	GIMBAL SIDE PLATE - RH	1	94100201
3	GIMBAL SIDE PLATE - LH	1	94100202
4	GIMBAL PIVOT PLATE	2	94100203
5	LOAD FRAME WELD ASSEMBLY	1	941003
6	ROLL SCREW	1	941009
7	WASHER – Roll Thrust Large	1	941010
8	WASHER – Roll Thrust Small	1	941011
9	NUT SET	1	941012
10	THRUST WASHER SET	1	941014
11	HAND WHEEL	1	9418
12	RATCHET RETAINING STRAP	1	9509
13	SIDE PLATE SCREW	8	95100205
14	ROLL NUT	1	951008
15	GRIP PLATE ASSEMBLY	4	9511