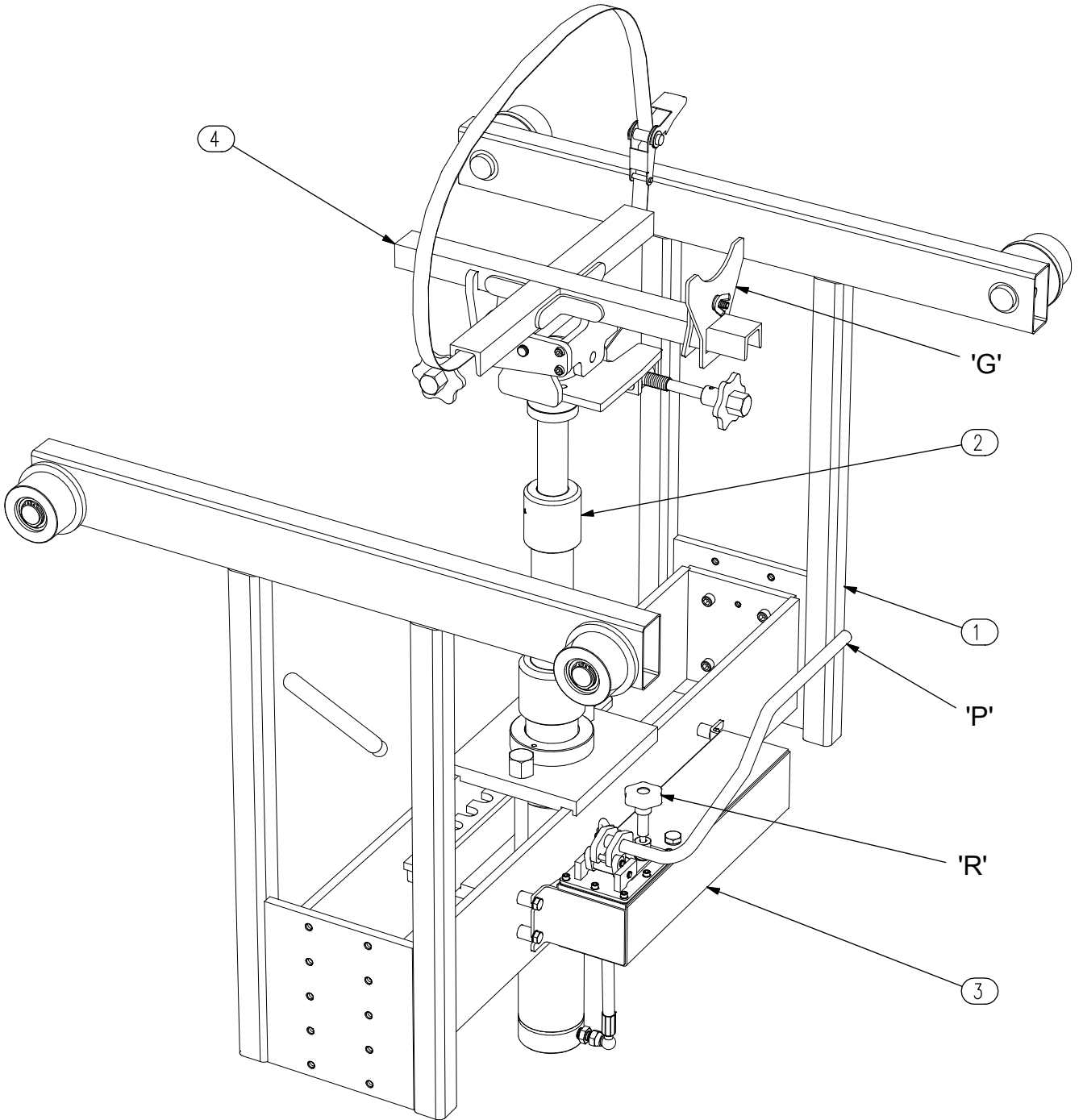


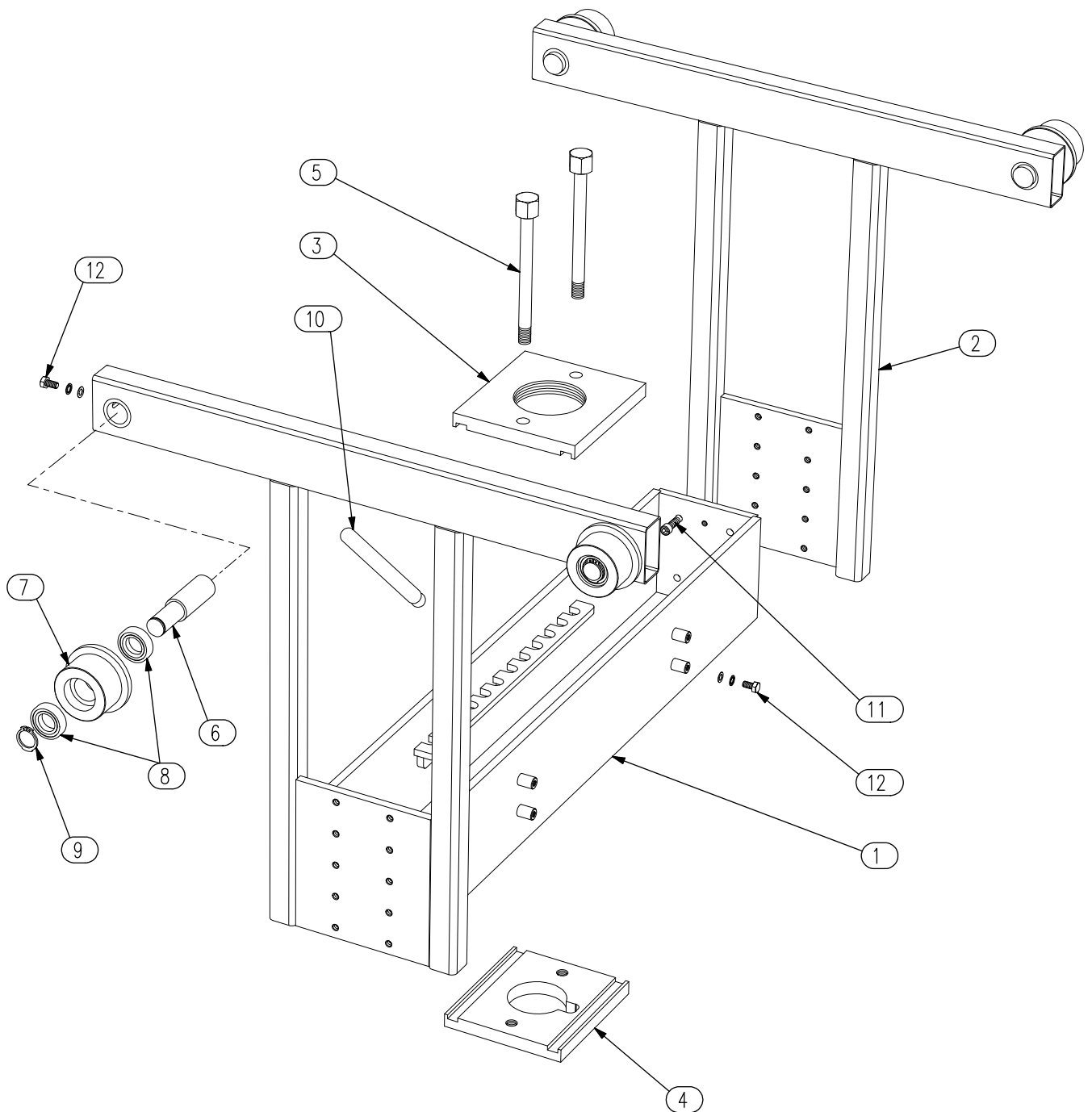
PTJ 1000 PIT RAIL MODEL TRANSMISSION JACK
Part Number 9500



PTJ 1000 PIT RAIL MODEL TRANSMISSION JACK
Part Number 9500

<u>ITEM No.</u>	<u>DESCRIPTION</u>	<u>QTY</u>	<u>PART No.</u>
1	FRAME ASSEMBLY	1	9501
2	RAM ASSEMBLY	1	9502
3	HAND PUMP ASSEMBLY	1	9503
4	TILT HEAD ASSEMBLY	1	9510

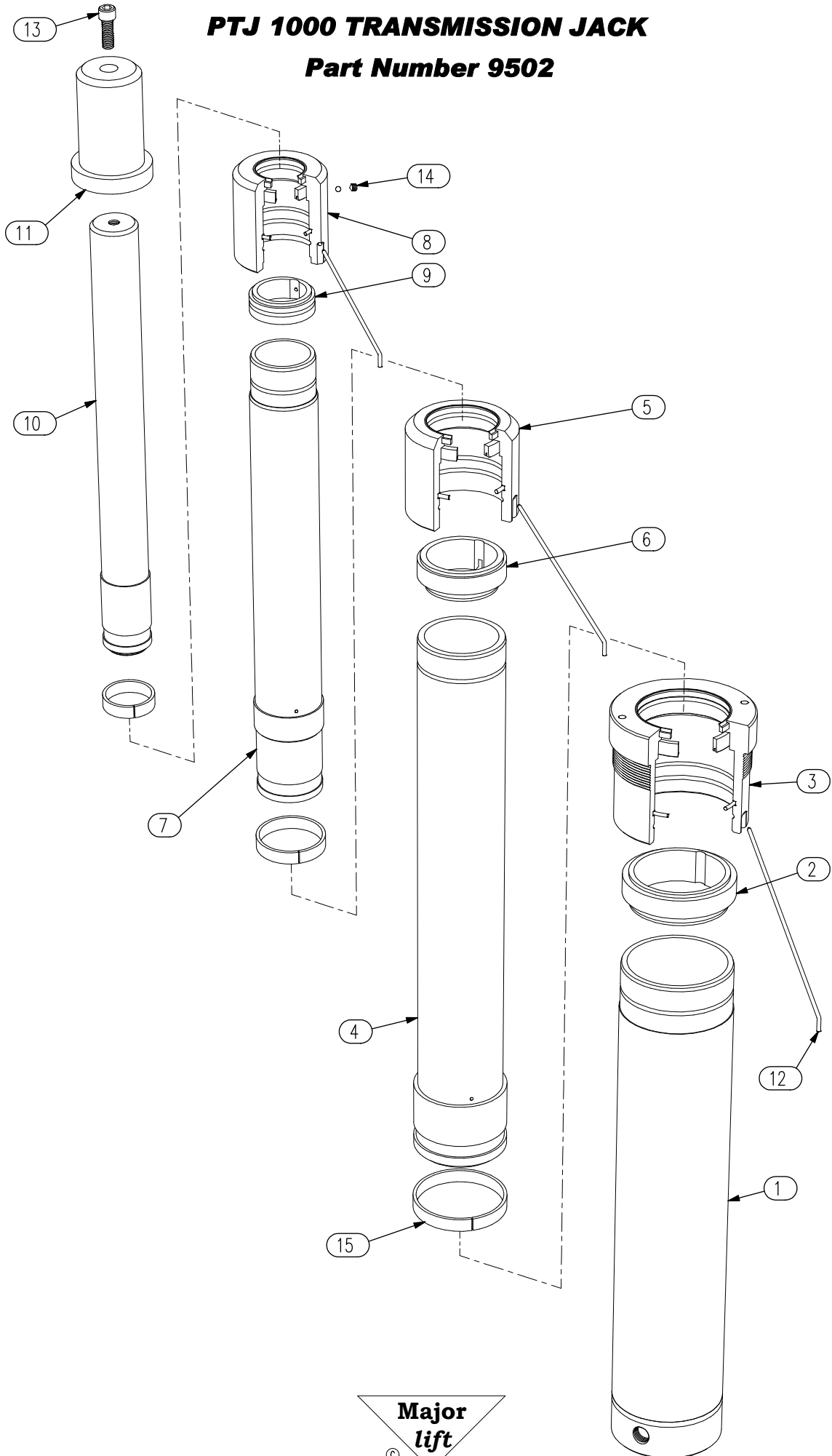
FRAME ASSEMBLY
PTJ 1000 PIT RAIL MODEL TRANSMISSION JACK
Part Number 9501



FRAME ASSEMBLY
PTJ 1000 PIT RAIL MODEL TRANSMISSION JACK
Part Number 9501

<u>ITEM No.</u>	<u>DESCRIPTION</u>	<u>QTY</u>	<u>PART No.</u>
1	CENTRE FRAME ASSEMBLY	1	950101
2	END FRAME ASSEMBLY	2	950102
3	RAM TOP PLATE	1	950108
4	RAM CLAMP PLATE	1	950109
5	CLAMP BOLT ASSEMBLY	2	950105
6	AXLE	4	9504
7	ROLLER	4	9505
8	ROLLER BEARING	8	9506
9	CIRCLIP	4	18161
10	CROSS SLIDE LEVER	1	9508
11	END FRAME FIXINGS	8	9507
12	TANK MOUNTING FIXINGS	8	2009

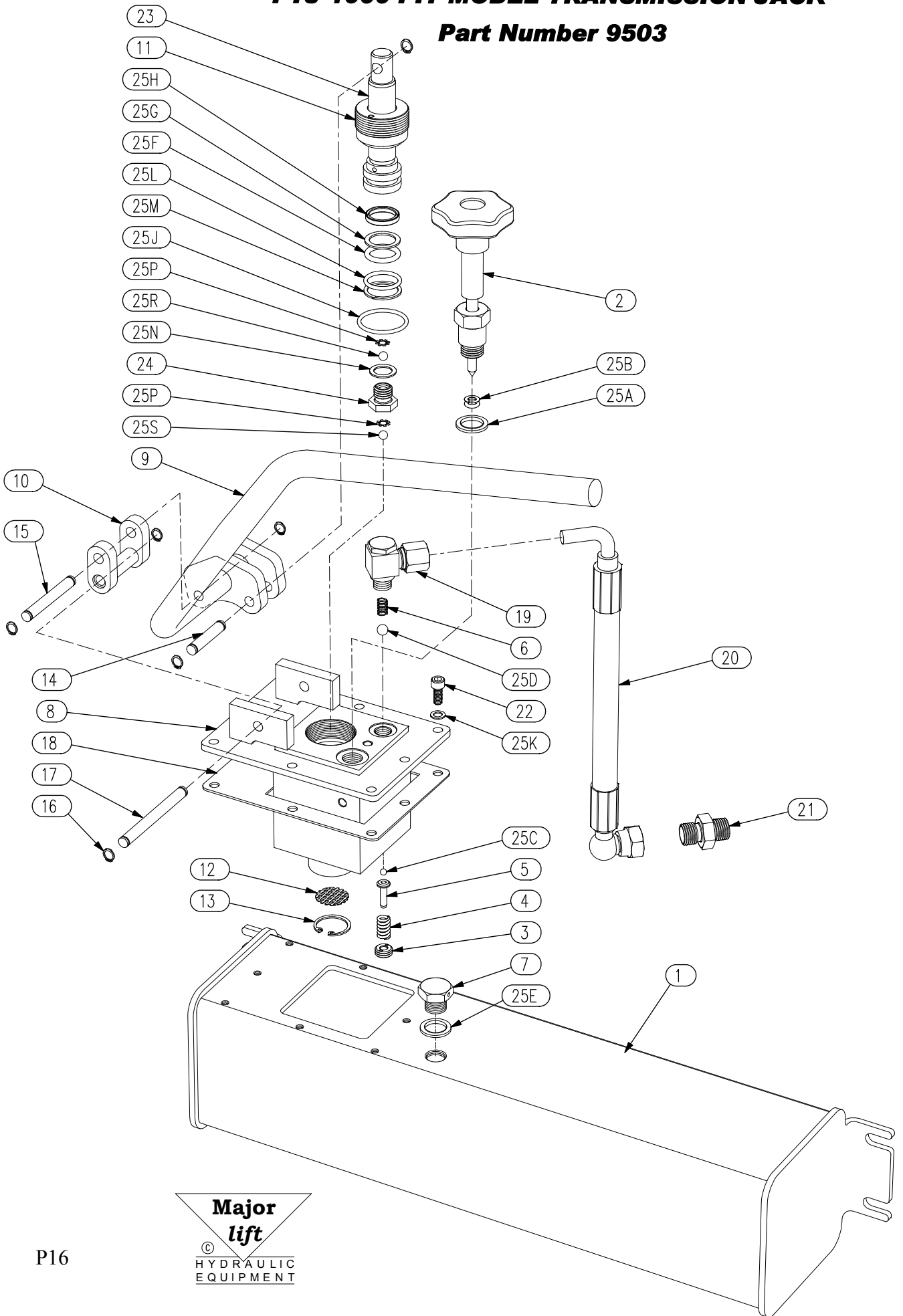
3 STAGE RAM ASSEMBLY
PTJ 1000 TRANSMISSION JACK
Part Number 9502



**3 STAGE RAM ASSEMBLY
PTJ 1000 TRANSMISSION JACK
Part Number 9502**

<u>ITEM No.</u>	<u>DESCRIPTION</u>	<u>QTY</u>	<u>PART No.</u>
1	OUTER CYLINDER ASSEMBLY	1	950201
2	OUTER CYLINDER GLAND SLEEVE	1	950203
3	OUTER CYLINDER GLAND	1	950202
4	1 st STAGE PISTON TUBE ASSEMBLY	1	950204
5	1 st STAGE PISTON GLAND	1	950205
6	1 st STAGE PISTON GLAND SLEEVE	1	950206
7	2 nd STAGE PISTON TUBE ASSEMBLY	1	950207
8	2 nd STAGE PISTON GLAND	1	950208
9	2 nd STAGE PISTON GLAND SLEEVE	1	950209
10	3 rd STAGE PISTON ASSEMBLY	1	950210
11	PISTON ADAPTOR	1	950212
12	RETAINING WIRE SET	1	950211
13	SOCKET HEAD CAP SCREW	1	134906
14	BLEED SCREW	1	3504
15	SEAL KIT	1	9502K2

HAND PUMP ASSEMBLY
PTJ 1000 PIT MODEL TRANSMISSION JACK
Part Number 9503

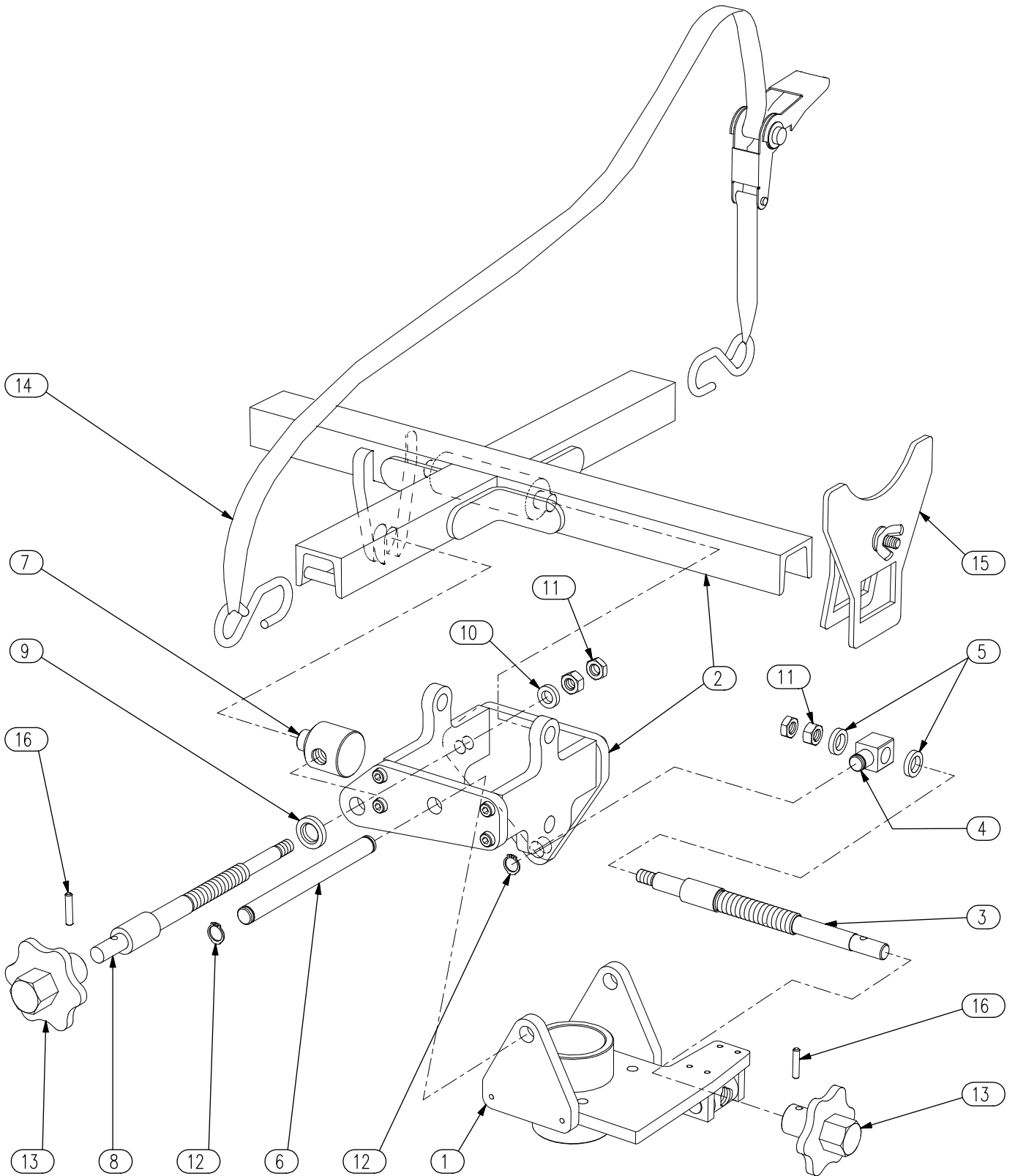


**HAND PUMP ASSEMBLY
PTJ 1000 PIT MODEL TRANSMISSION JACK
Part Number 9503**

<u>ITEM No.</u>	<u>DESCRIPTION</u>	<u>QTY</u>	<u>PART No.</u>
1	RESERVOIR	1	950301
2	SHUT OFF VALVE ASSEMBLY	1	950306
3	RELIEF VALVE COLLAR	1	110315
4	RELIEF VALVE SPRING	1	110314
5	RELIEF VALVE PISTON	1	130313
6	DELIVERY VALVE SPRING	1	950303
7	BREATHER / FILLER PLUG	1	7819
8	PUMP HEAD WELD ASSEMBLY	1	955301
9	HANDLE ASSEMBLY	1	950304
10	HANDLE LINK ASSEMBLY	1	3804
11	PLUNGER GLAND	1	955302
12	SUCTION FILTER	1	1403144
13	FILTER RETAINER	1	3812
14	PLUNGER LINK PIN	1	3809
15	HANDLE LINK PIN	1	3808
16	CIRCLIP	6	3814
17	LINK PIVOT PIN	1	3807
18	PUMP HEAD GASKET	1	3810
19	BANJO CONNECTOR	2	950308
20	HYDRAULIC HOSE ASSEMBLY	1	950307
21	VELOCITY VALVE ASSEMBLY	1	HH3513
22	PUMP HEAD MOUNTING BOLT	8	3818
23	PUMP PLUNGER	1	950302
24	BY-PASS VALVE SEAT	1	110306
25	SEAL KIT Comprising Items 25A to 25S	1	9553K
25A	<i>Bonded Washer</i>)	1	
25B	<i>'O' Ring & 'AE' Ring</i>)	1	
25C	<i>Relief Valve Ball</i>)	1	
25D	<i>Delivery Valve Ball</i>)	1	
25E	<i>Copper Washer</i>)	1	
25F	<i>'O' Ring</i>)	1	
25G	<i>Solid AE Ring</i>)	1	
25H	<i>Wiper Seal</i>)	1	
25J	<i>'O' Ring</i>)	1	
25K	<i>Copper Washer</i>)	8	
25L	<i>'D' Ring</i>)	1	
25M	<i>Solid Split AE Ring</i>)	1	
25N	<i>Copper Washer</i>)	1	
25P	<i>Star Washer</i>)	2	
25R	<i>Bypass Ball</i>)	1	
25S	<i>Suction Valve Ball</i>)	1	

Parts Of Item 25

TILT HEAD ADAPTOR
PTJ 1000 TRANSMISSION JACK
Part Number 9510



**TILT HEAD ADAPTOR
PTJ 1000 TRANSMISSION JACK
Part Number 9510**

<u>ITEM No.</u>	<u>DESCRIPTION</u>	<u>QTY</u>	<u>PART No.</u>
1	BASEPLATE -ASSEMBLY	1	951001
2	GIMBAL FRAME - ASSEMBLY	1	951002
3	PITCH SCREW	1	951004
4	PITCH ANCHOR	1	951005
5	WASHER – PITCH THRUST	2	951006
6	PITCH PIVOT PIN	1	951007
7	ROLL NUT	1	951008
8	ROLL SCREW	1	951009
9	WASHER – Roll Thrust Large	1	951010
10	WASHER – Roll Thrust Small	1	951011
11	FIXINGS SET	1	951012
12	CIRCLIP SET	1	951013
13	HAND WHEEL	2	9418
14	RATCHET RETAINING STRAP	1	9509
15	GRIP PLATE ASSEMBLY	4	9511
16	ROLL PIN	2	183409