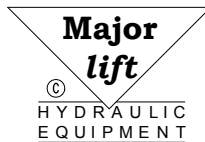
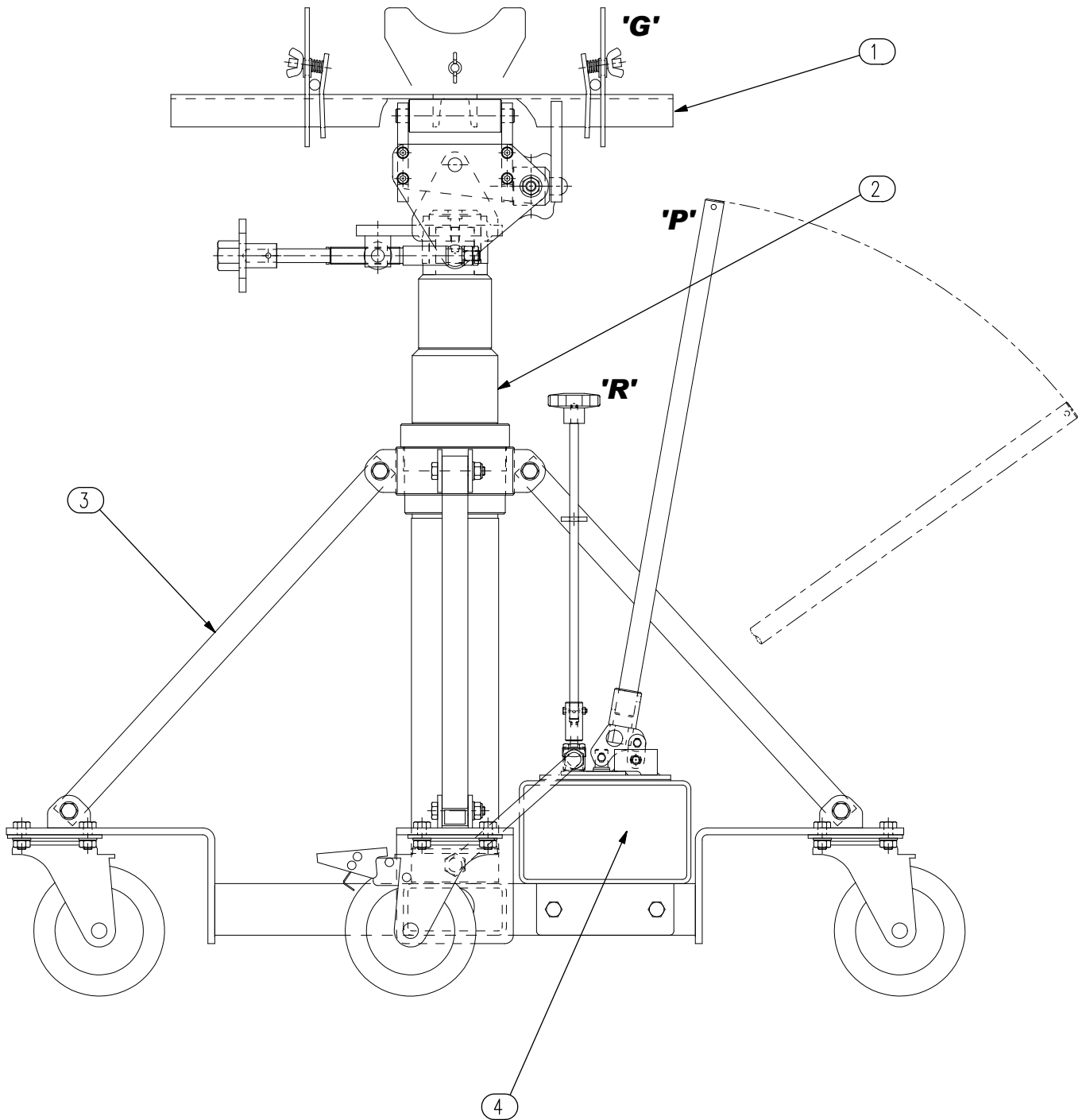


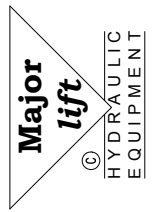
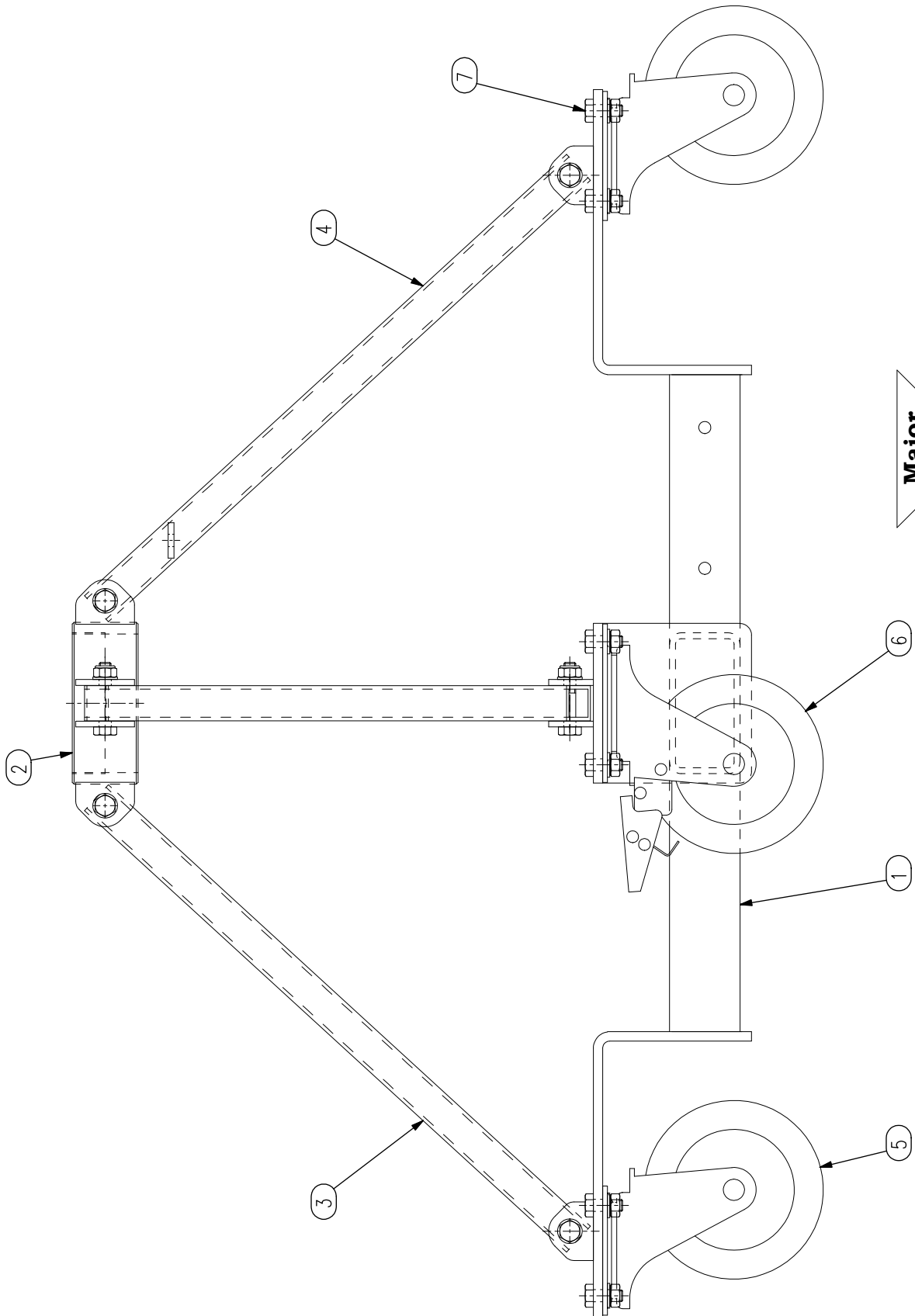
VTJ 1000 FLOOR MODEL TRANSMISSION JACK
Part Number 9550



VTJ 1000 FLOOR MODEL TRANSMISSION JACK
Part Number 9550

<u>ITEM No.</u> <u>No.</u>	<u>DESCRIPTION</u>	<u>QTY</u>	<u>PART</u>
1	TILT HEAD ASSEMBLY	1	9510
2	3 STAGE RAM ASSEMBLY	1	9502
3	FRAME ASSEMBLY	1	9551
4	HAND PUMP ASSEMBLY	1	9553

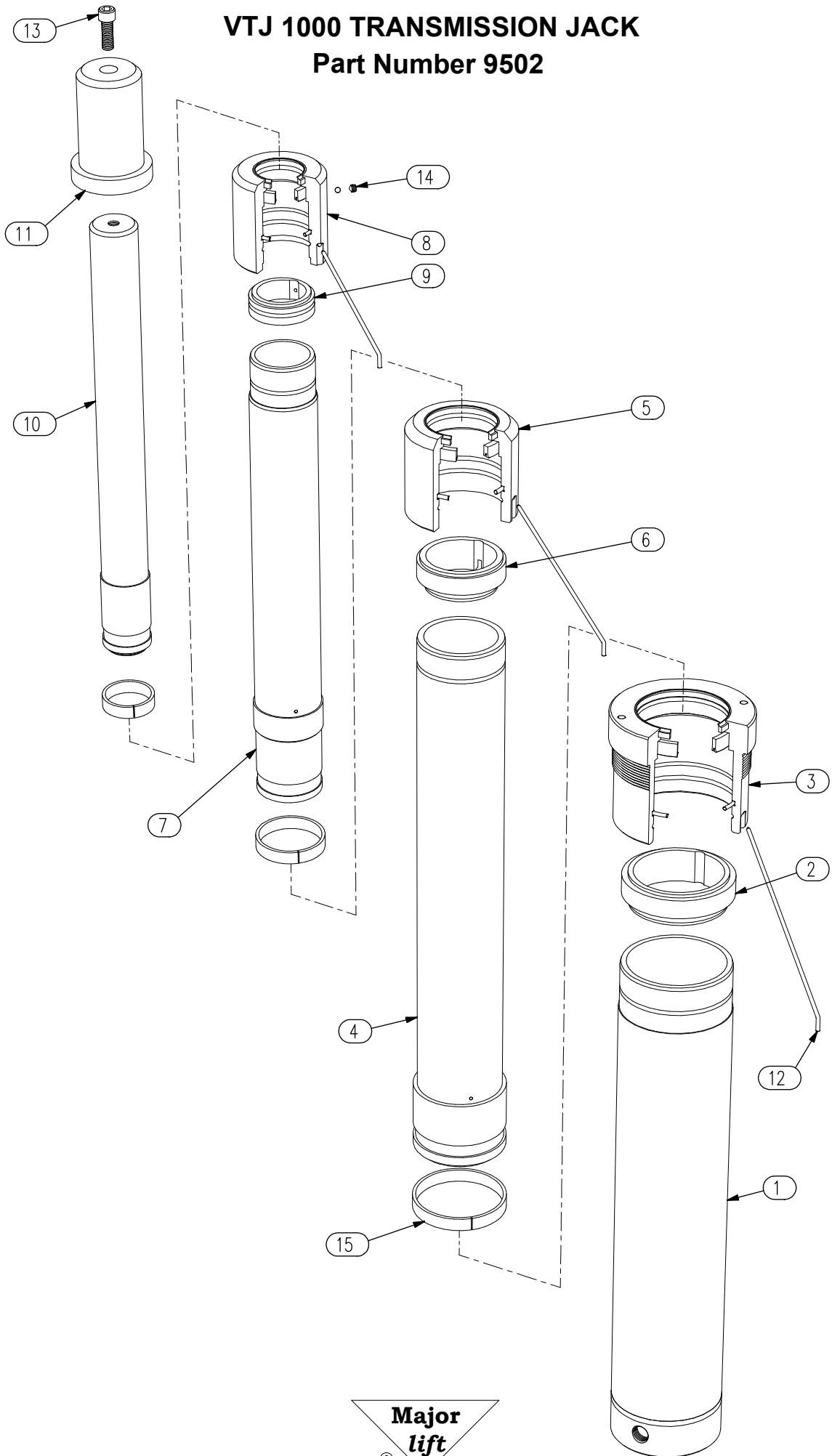
FRAME ASSEMBLY
VTJ 1000 FLOOR MODEL TRANSMISSION JACK
Part Number 9551



FRAME ASSEMBLY
VTJ 1000 FLOOR MODEL TRANSMISSION JACK
Part Number 9551

<u>ITEM No.</u> <u>No.</u>	<u>DESCRIPTION</u>	<u>QTY</u>	<u>PART</u>
1	BASE ASSEMBLY	1	955101
2	RAM SUPPORT COLLAR ASSEMBLY	1	955102
3	FRAME STAY PLAIN	3	955103
4	FRAME STAY/BRACKET WELD ASSEMBLY	1	955104
5	CASTOR WHEEL – SWIVEL	2	955105
6	CASTOR WHEEL – SWIVEL/BRAKED	2	955106
7	FRAME FIXINGS	1	955107

3 STAGE RAM ASSEMBLY
VTJ 1000 TRANSMISSION JACK
Part Number 9502



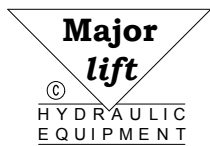
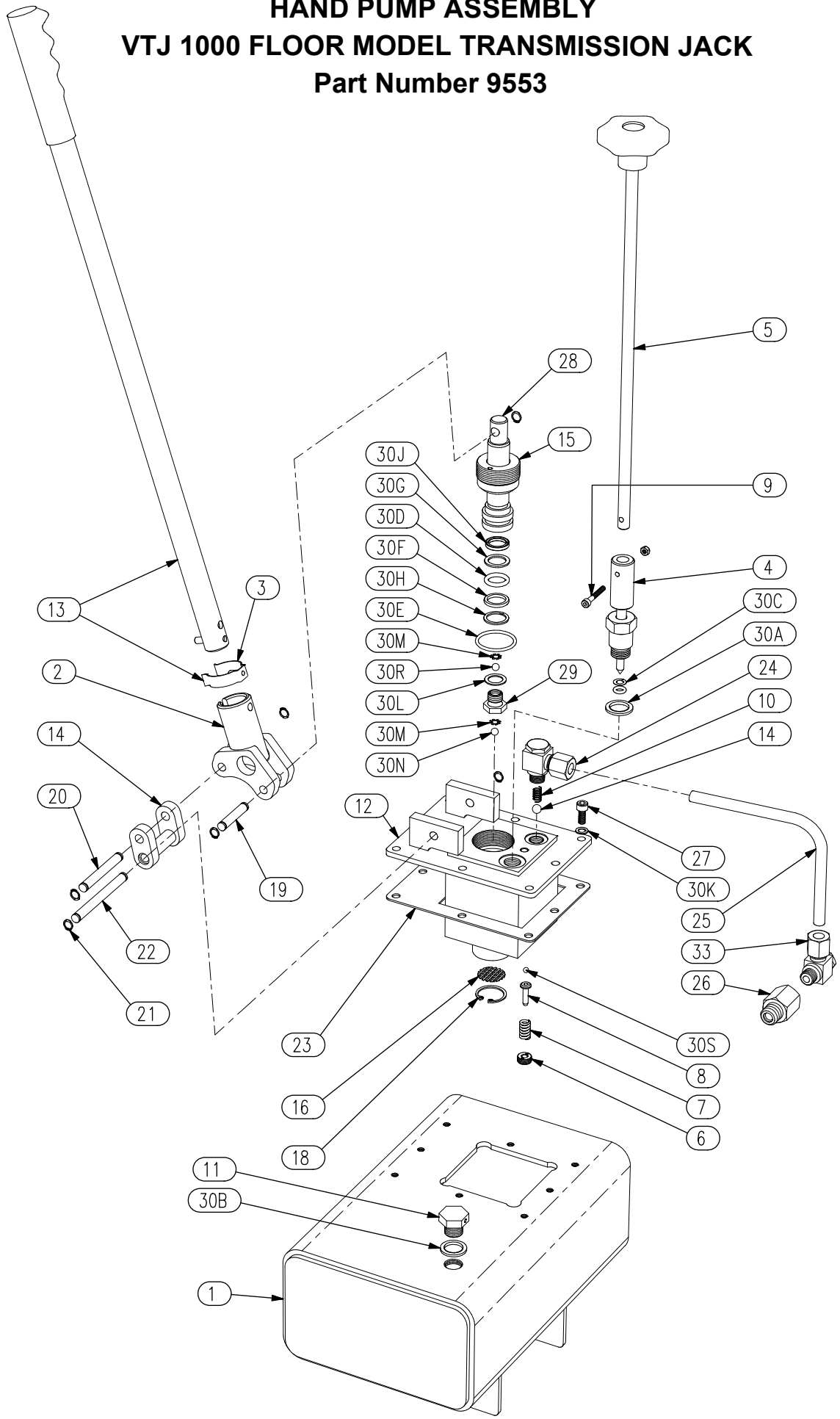
**3 STAGE RAM ASSEMBLY
VTJ 1000 TRANSMISSION JACK
Part Number 9502**

<u>ITEM No.</u> <u>No.</u>	<u>DESCRIPTION</u>	<u>QTY</u>	<u>PART</u>
1	OUTER CYLINDER ASSEMBLY	1	950201
2	OUTER CYLINDER GLAND SLEEVE	1	950203
3	OUTER CYLINDER GLAND	1	950202
4	1 st STAGE PISTON TUBE ASSEMBLY	1	950204
5	1 st STAGE PISTON GLAND	1	950205
6	1 st STAGE PISTON GLAND SLEEVE	1	950206
7	2 nd STAGE PISTON TUBE ASSEMBLY	1	950207
8	2 nd STAGE PISTON GLAND	1	950208
9	2 nd STAGE PISTON GLAND SLEEVE	1	950209
10	3 rd STAGE PISTON ASSEMBLY	1	950210
11	PISTON ADAPTOR	1	950212
12	RETAINING WIRE SET	1	950211
13	SOCKET HEAD CAP SCREW	1	134906
14	BLEED SCREW	1	3504
15	SEAL KIT	1	9502K2

HAND PUMP ASSEMBLY

VTJ 1000 FLOOR MODEL TRANSMISSION JACK

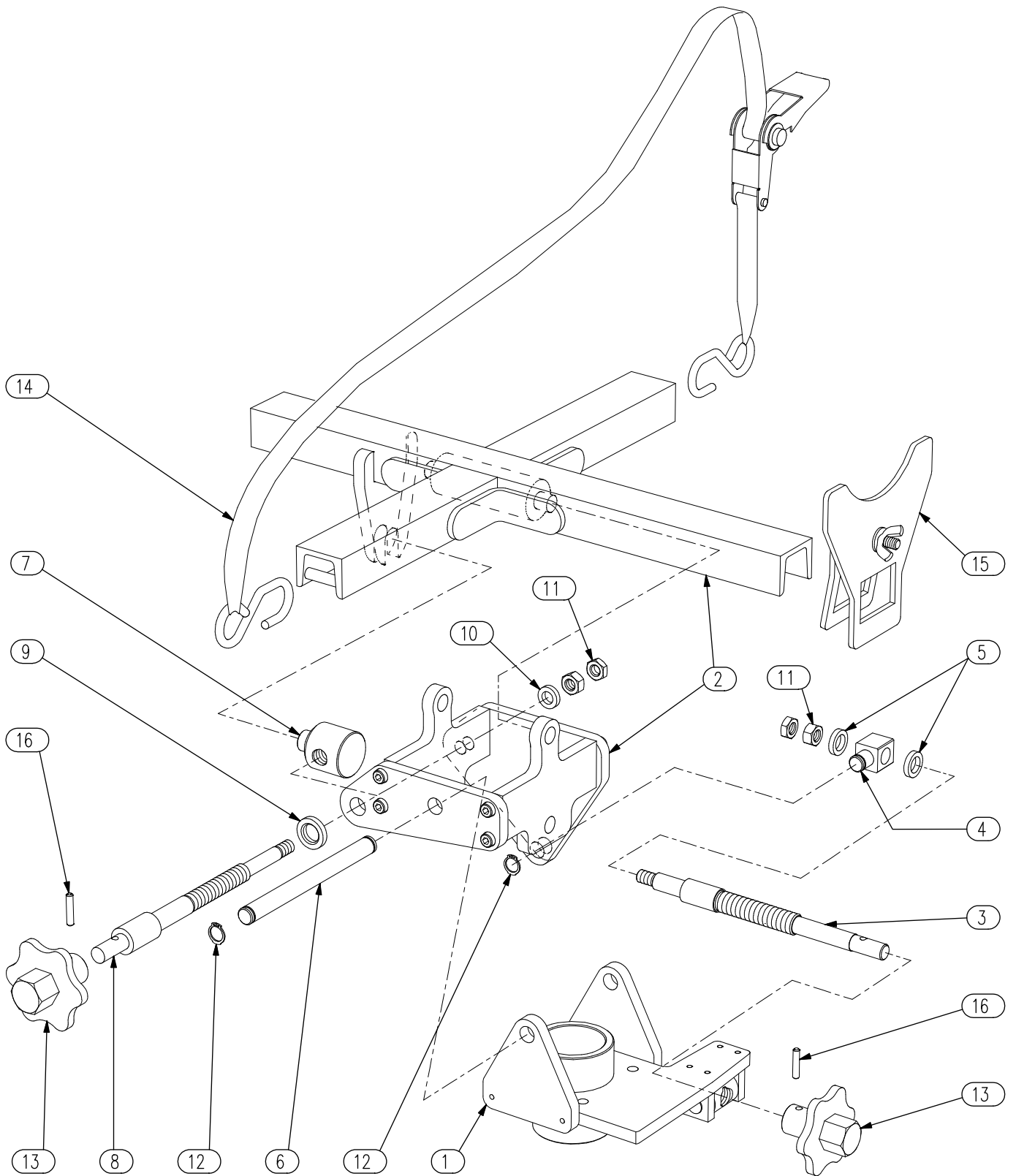
Part Number 9553



HAND PUMP ASSEMBLY
VTJ 1000 FLOOR MODEL TRANSMISSION JACK
Part Number 9553

<u>ITEM No.</u>	<u>DESCRIPTION</u>	<u>QTY</u>	<u>PART No.</u>
1	RESERVOIR	1	955304
2	HANDLE SOCKET ASSEMBLY	1	955303
3	HANDLE LOCK CLIP	1	(8010)
4	SHUT OFF VALVE ASSEMBLY	1	955305
5	SHUT OFF VALVE EXTENSION ASSEMBLY	1	955306
6	RELIEF VALVE COLLAR	1	110315
7	RELIEF VALVE SPRING	1	110314
8	RELIEF VALVE PISTON	1	130313
9	SHUT OFF VALVE EXT. RETN. BOLT SET	1	955307
10	DELIVERY VALVE SPRING	1	950303
11	BREATHER / FILLER PLUG	1	7819
12	PUMP HEAD WELD ASSEMBLY	1	955301
13	HANDLE ASSEMBLY	1	955309
14	HANDLE LINK ASSEMBLY	1	3804
15	PLUNGER GLAND	1	955302
16	SUCTION FILTER	1	1403144
18	FILTER RETAINER	1	3812
19	PLUNGER LINK PIN	1	3809
20	HANDLE LINK PIN	1	3808
21	CIRCLIP	6	3814
22	LINK PIVOT PIN	1	3807
23	PUMP HEAD GASKET	1	3810
24	BANJO CONNECTOR	2	950308
25	HYDRAULIC CONNECTOR PIPE	1	955308
26	VELOCITY VALVE ASSEMBLY	1	955310
27	PUMP HEAD MOUNTING BOLT	8	3818
28	PUMP PLUNGER	1	950302
29	BY-PASS VALVE SEAT	1	110306
30	SEAL KIT Comprising Items 30A to 30S	1	9553K
30A	Bonded Washer)	1	
30B	Bonded Washer)	1	
30C	'O' Ring & 'AE' Ring)	1	
30D	'O' Ring)	1	
30E	'O' Ring)	1	
30F	'D' Ring)	1	
30G	Solid AE Ring)	1	
30H	Solid Split AE Ring)	1	
30J	Wiper Seal)	8	Parts Of Item 30
30K	Copper Washer)	1	
30L	Copper Washer)	1	
30M	Star Washer)	2	
30N	Suction Valve Ball)	1	
30P	Delivery Valve Ball)	1	
30R	Bypass Ball)	1	
30S	Relief Valve Ball)	1	

**TILT HEAD ADAPTOR
VTJ 1000 TRANSMISSION JACK
Part Number 9510**



**TILT HEAD ADAPTOR
VTJ 1000 TRANSMISSION JACK
Part Number 9510**

<u>ITEM No.</u> <u>No.</u>	<u>DESCRIPTION</u>	<u>QTY</u>	<u>PART</u>
1	BASEPLATE -ASSEMBLY	1	951001
2	GIMBAL FRAME - ASSEMBLY	1	951002
3	PITCH SCREW	1	951004
4	PITCH ANCHOR	1	951005
5	WASHER – PITCH THRUST	2	951006
6	PITCH PIVOT PIN	1	951007
7	ROLL NUT	1	951008
8	ROLL SCREW	1	951009
9	WASHER – Roll Thrust Large	1	951010
10	WASHER – Roll Thrust Small	1	951011
11	FIXINGS SET	1	951012
12	CIRCLIP SET	1	951013
13	HAND WHEEL	2	9418
14	RATCHET RETAINING STRAP	1	9509
15	GRIP PLATE ASSEMBLY	4	9511
16	ROLL PIN	2	183409