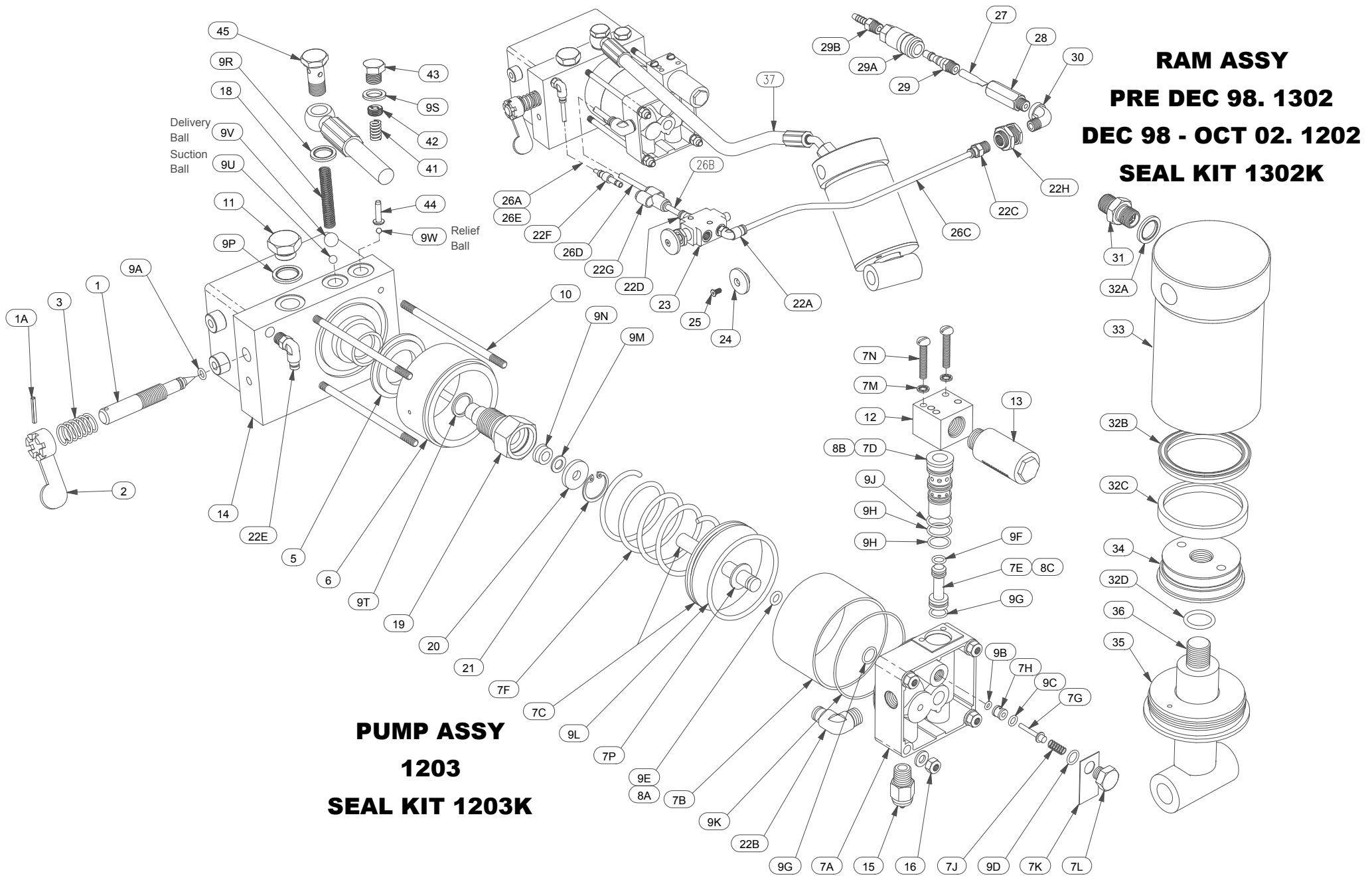


# MPJ 1.5 TONNE AIR OPERATED JACKING BEAM

Ser. No. 12 / \*\*\*\*. \*\*\*\*



**PUMP ASSY**  
**1203**  
**SEAL KIT 1203K**

**RAM ASSY**  
**PRE DEC 98. 1302**  
**DEC 98 - OCT 02. 1202**  
**SEAL KIT 1302K**

# MPJ 1.5 AIR OPERATED JACKING BEAM

Ser. No. 12 / \*\*\*\*\_\*\*\*\*

<u>ITEM No.</u>	<u>DESCRIPTION</u>		<u>QTY</u>	<u>PART No.</u>
1	RELEASE SPINDLE		1	110304
1A	LEVER RETAINING PIN		1	110308
2	RELEASE LEVER		1	110307
3	RELEASE LEVER SPRING		1	110310
4	-			
5	SPRING RETAINER		1	120306
6	AIR CYLINDER SPACER		1	120307
7A	AIR CAP		1	160308L
7B	AIR BARREL		1	HX17071
7C	AIR PISTON		1	HX55731-1
	PUMP PLUNGER		1	HX55732-71
7D	SLEEVE		1	HX17158
7E	SPOOL		1	HX17157
7F	SPRING		1	HX17162
7G	PILOT VALVE		1	HX17156-2
7H	TUBE		1	HX17159
7J	SPRING		1	HX17161
7K	DUST COVER PLATE		1	HX17184
7L	PILOT VALVE PLUG		1	HX50111
7M	LOCK WASHER		2	HX1210
7N	SCREW		2	HX17196
7P	RUBBER WASHER		1	5613-83-62
8	AIR SECTION REPAIR KIT	(Containing Items 8A to 8C)	1	120308K
8A	AIR BARREL		1	HX17071
8B	SLEEVE		1	HX17158
8C	SPOOL		1	HX17157
9	POWER PACK SEAL KIT	(Containing Items 9A to 9W)	1	1203K
9A - L	'O' RINGS		13	
9M	ENDLESS 'BU' RING		1	
9N	'U' RING		1	
9P - S	BONDED SEALS		3	
9T	COPPER WASHER		1	
9U - W	BALLS		3	
10	CYLINDER RETAINING STUD		4	120309
11	FILLER PLUG		1	120312
12	SILENCER MOUNTING BLOCK		1	120314
13	SILENCER		1	120315
14	VALVE BLOCK ASSEMBLY	Post Oct 02	1	140301L
		Dec 98 – Oct 02	1	140301
15	PRESSURE RELIEF VALVE		1	140303L
16	NYLOC NUT AND WASHER		4	140310
17	-			
18	DELIVERY VALVE SPRING		1	140304L
19	PUMP BARREL		1	850305
20	PLUNGER GLAND		1	850304
21	GLAND RETAINER		1	850306

# MPJ 1.5 AIR OPERATED JACKING BEAM

Ser. No. 12 / \*\*\*\*\_\*\*\*\*

<u>ITEM No.</u>	<u>DESCRIPTION</u>	<u>QTY</u>	<u>PART No.</u>
22	AIR FITTINGS KIT (Containing Items 22A to 22H)	1	1404
22A	ELBOW ADAPTOR	1	
22B	FIXED ELBOW ADAPTOR	1	
22C	STRAIGHT ADAPTOR	1	
22D	STRAIGHT ADAPTOR	1	
22E	SWIVEL ELBOW ADAPTOR	1	
22F	STEM REDUCING CONNECTOR	1	
22G	PARALLEL 'Y' CONNECTOR	1	
22H	BULKHEAD CONNECTOR	1	
23	CONTROL VALVE (c/w item 24)	1	140404
24	CONTROL VALVE BUTTON	1	140405
25	SCREW FOR ABOVE	1	140406
26	NYLON TUBE SET	1	1405
27	AIR INLET FILTER	1	1211
28	INLET FILTER BODY	1	1210
29	AIR INLET TAILPIECE	1	39101
29A	AIR INLET CHUCK	1	39102
29B	AIR HOSE CONNECTOR	1	39103
30	ELBOW	1	1427
31	UNION / VELOCITY VALVE	1	15025
32	RAM SEAL KIT (Containing Items 32A to 32D)	1	1302K
32A	BONDED WASHER	1	
32B	RAM SEAL	1	
32C	GUIDE RING	1	
32D	'O' RING Fitted Post July 97	1	
33	CYLINDER Dec 98 – Oct 02 (Single Chamfer On End)	1	12021
	Pre Dec 98 (Flat Cylinder End)	1	13032
34	PISTON HEAD	1	13023
35	CYLINDER GLAND	1	13024
36	PISTON ROD Dec 98 – Oct 02	1	12022
	Pre Dec 98	1	13022
37	HYDRAULIC HOSE ASSY Pre Nov 02 (Banjo At Pump End)	1	1225
41	RELIEF VALVE SPRING	1	110314
42	RELIEF VALVE COLLAR	1	110315
43	RELIEF VALVE PLUG	1	110316
44	RELIEF VALVE PISTON	1	130313
45	DELIVERY VALVE PLUG	1	140312