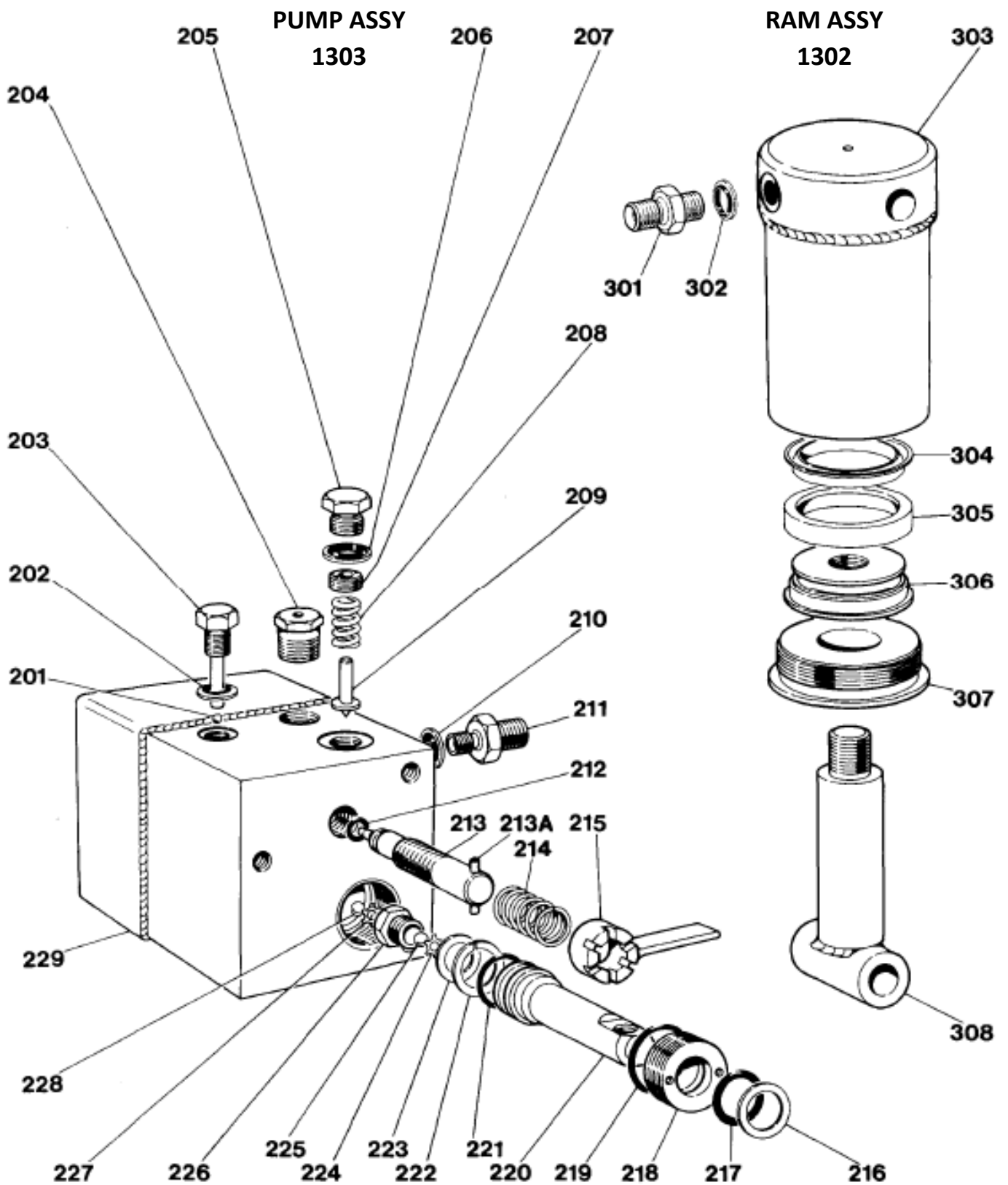


# HPJ 1.5 TONNE HAND OPERATED POWER PACK & RAM

Ser. No. 13/ \*\*\*\* - \*\*\*\*



## HPJ 1.5 TONNE HAND OPERATED JACKING BEAM

Ser. No. 13 / \*\*\*\*\_\*\*\*\*

ITEM No	DESCRIPTION	QTY	PART No
201	DELIVERY BALL	1	*
202	BONDED WASHER	1	*
203	DELIVERY VALVE PLUG	1	110303
204	FILLER PLUG	1	110312
205	RELIEF VALVE PLUG	1	110316
206	BONDED WASHER	1	*
207	RELIEF VALVE ADJUSTER	1	110315
208	RELIEF VALVE SPRING	1	110314
209	RELIEF VALVE	1	110313
210	BONDED WASHER	1	*
211	OUTLET UNION	1	110311
210	'O' RING	1	*
213	RELEASE SPINDLE	1	110304
213A	LEVER RETAINING PIN	1	110308
214	RELEASE LEVER SPRING	1	110310
215	RELEASE LEVER	1	110307
216	'A.E.' RING	1	*
217	'O' RING	1	*
218	PLUNGER GLAND	1	110302
219	'O' RING	1	*
220	PUMP PLUNGER	1	110305
221	'O' RING	1	*
222	'A.E.' RING	1	*
223	WASHER	1	*
224	STAR WASHER	1	*
225	BY- PASS BALL	1	*
226	BY-PASS BALL SEAT	1	110306
227	STAR WASHER	1	*
228	SUCTION BALL	1	*
229	VALVE BLOCK ASSEMBLY	1	H130301
301	UNION / VELOCITY VALVE	1	15025
302	BONDED WASHER	1	*
303	CYLINDER	1	13021
304	RAM SEAL	1	**
305	GUIDE RING	1	**
306	PISTON HEAD	1	13023
307	CYLINDER GLAND	1	13024
308	PISTON ROD	1	13022
*	ITEMS CONTAINED IN PUMP SEAL KIT	1	1103K
**	ITEMS CONTAINED IN RAM SEAL KIT	1	1302K