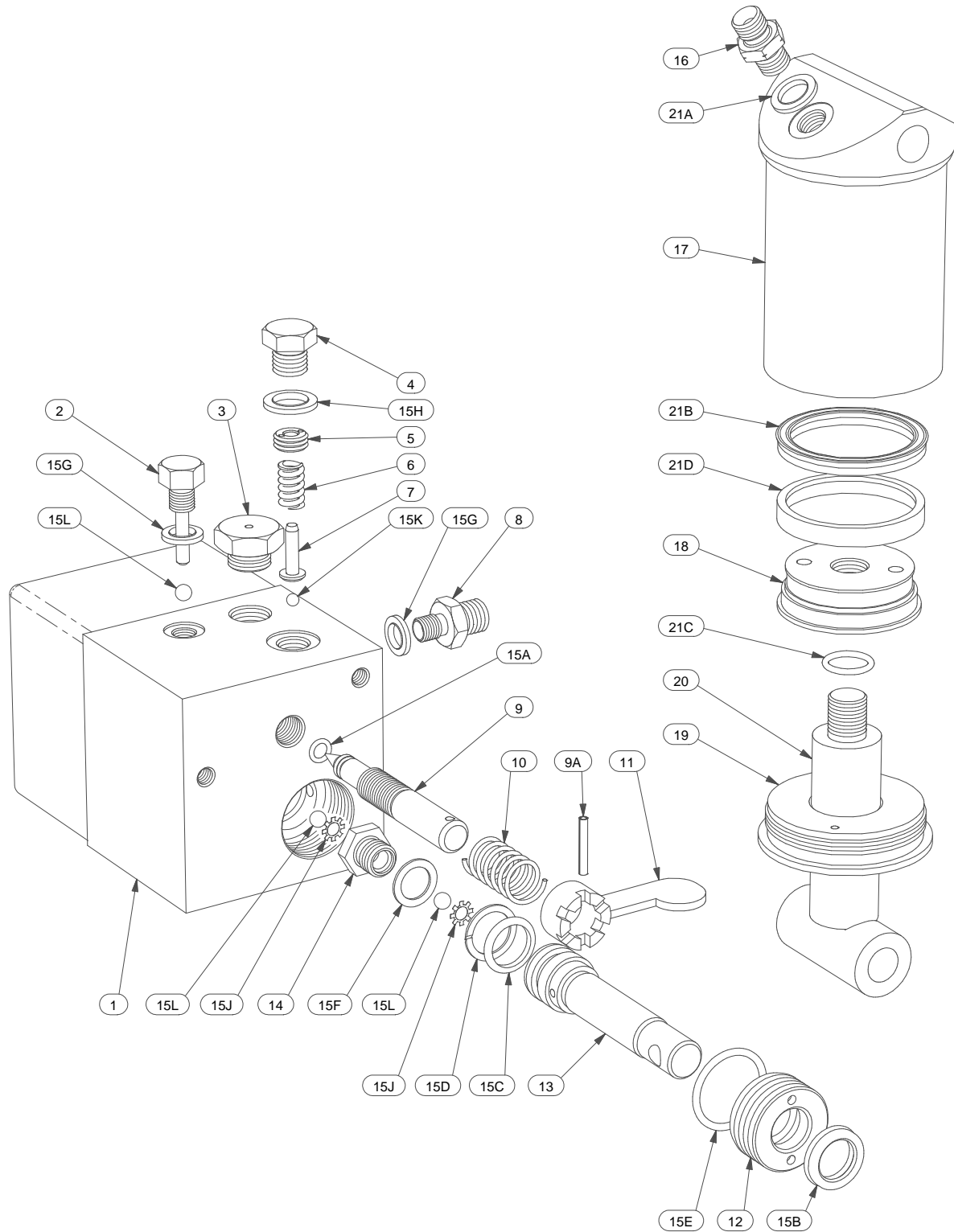


2.0 TONNE RAM AND
HAND OPERATED POWER PACK ASSEMBLES
Part Numbers 1302L (RAM) 1303L (POWER PACK)



**2.0 TONNE RAM AND
HAND OPERATED POWER PACK ASSEMBLIES
Part Numbers 1302L (RAM) 1303L (POWER PACK)**

<u>ITEM No.</u>	<u>DESCRIPTION</u>	<u>QTY</u>	<u>PART No.</u>
1	VALVE BLOCK ASSEMBLY	1	130301
2	DELIVERY VALVE PLUG	1	110303
3	FILLER PLUG	1	110312
4	RELIEF VALVE PLUG	1	110316
5	RELIEF VALVE ADJUSTING COLLAR	1	110315
6	RELIEF VALVE SPRING	1	110314
7	RELIEF VALVE PISTON	1	130313
8	OUTLET UNION	1	110311
9	RELEASE SPINDLE	1	110304
9A	LEVER RETAINING PIN	1	110308
10	RELEASE LEVER SPRING	1	110310
11	RELEASE LEVER	1	110307
12	PLUNGER GLAND	1	110302
13	PUMP PLUNGER	1	110305
14	BY-PASS VALVE SEAT	1	110306
15	POWER PACK SEAL KIT (Containing Items 15A to 15L)	1	1103K
15A	'O' RING	1	
15B	'U' RING	1	
15C	'D' RING	1	
15D	'A.E.' RING	1	
15E	O' RING	1	
15F	COPPER WASHER	1	
15G	BONDED WASHER	2	
15H	BONDED WASHER	1	
15J	STAR WASHER	2	
15K	RELIEF VALVE BALL	1	
15L	BALL	3	
16	UNION / VELOCITY VALVE	1	13025
17	CYLINDER	1	13021L
18	PISTON HEAD	1	13023
19	CYLINDER GLAND	1	13024
20	PISTON ROD	1	13022
21	RAM SEAL KIT (Containing Items 21A to 21D)	1	1302K
21A	BONDED WASHER	1	
21B	RAM SEAL	1	
21C	'O' RING	1	
21D	GUIDE RING	1	