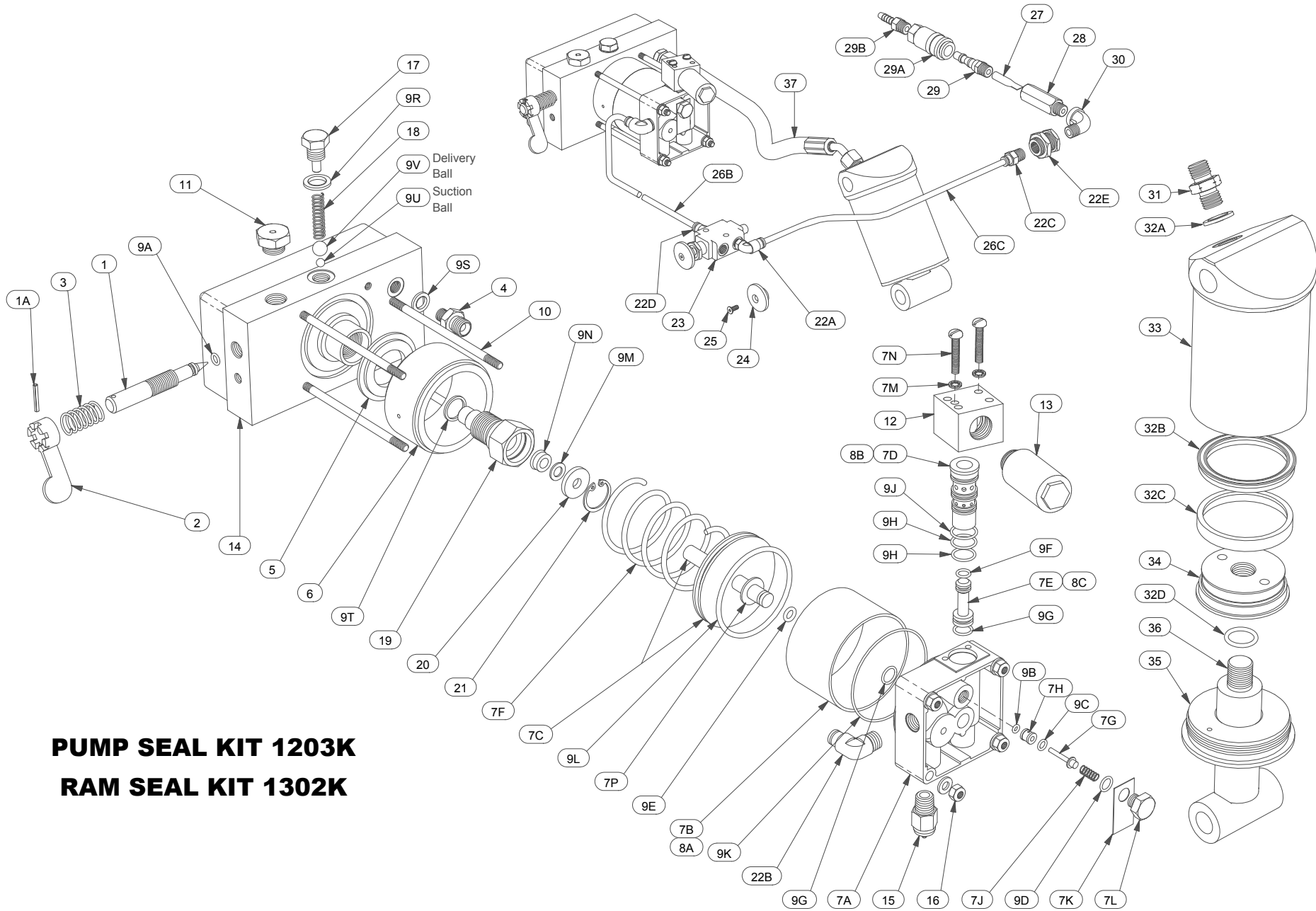


**MPJ 2.0 TONNE RAM AND  
AIR OPERATED POWER PACK ASSEMBLIES**  
**Part Numbers 1302L (RAM) 1403L (POWER PACK)**



**PUMP SEAL KIT 1203K**  
**RAM SEAL KIT 1302K**

**MPJ 2.0 TONNE RAM AND  
AIR OPERATED POWER PACK ASSEMBLIES  
Part Numbers 1302L (RAM) 1403L (POWER PACK)**

<u>ITEM No.</u>	<u>DESCRIPTION</u>	<u>QTY</u>	<u>PART No.</u>
1	RELEASE SPINDLE	1	110304
1A	LEVER RETAINING PIN	1	110308
2	RELEASE LEVER	1	110307
3	RELEASE LEVER SPRING	1	110310
4	OUTLET UNION	1	110311
5	SPRING RETAINER	1	120306
6	AIR CYLINDER SPACER	1	120307
7A	AIR CAP	1	160308L
7B	AIR BARREL	1	HX17071
7C	AIR PISTON	1	HX55731-1
	PUMP PLUNGER	1	HX55732-71
7D	SLEEVE	1	HX17158
7E	SPOOL	1	HX17157
7F	SPRING	1	HX17162
7G	PILOT VALVE	1	HX17156-2
7H	TUBE	1	HX17159
7J	SPRING	1	HX17161
7K	DUST COVER PLATE	1	HX17184
7L	PILOT VALVE PLUG	1	HX50111
7M	LOCK WASHER	2	HX1210
7N	SCREW	2	HX17196
7P	RUBBER WASHER	1	5613-83-62
8	AIR SECTION REPAIR KIT (Containing Items 8A to 8C)	1	120308K
8A	AIR BARREL	1	HX17071
8B	SLEEVE	1	HX17158
8C	SPOOL	1	HX17157
9	POWER PACK SEAL KIT (Containing Items 9A to 9V)	1	120308K
9A - L	'O' RINGS	13	
9M	ENDLESS 'BU' RING	1	
9N	'U' RING	1	
9R - S	BONDED SEALS	3	
9T	COPPER WASHER	1	
9U - V	BALLS	2	
10	CYLINDER RETAINING STUD	4	120309
11	FILLER PLUG	1	110312
12	SILENCER MOUNTING BLOCK	1	120314
13	SILENCER	1	120315
14	VALVE BLOCK ASSEMBLY	1	H145301 *
15	PRESSURE RELIEF VALVE	1	140303L
16	NYLOC NUT AND WASHER	4	140310
17	DELIVERY VALVE PLUG	1	140302L
18	DELIVERY VALVE SPRING	1	140304L
19	PUMP BARREL	1	850305
20	PLUNGER GLAND	1	850304
21	GLAND RETAINER	1	850306
22	AIR VALVES AND FITTINGS KIT (Containing Items 22A to 22E)	1	1404
22A	ELBOW ADAPTOR	1	
22B	FIXED ELBOW ADAPTOR	1	
22C	STRAIGHT ADAPTOR	1	
22D	STRAIGHT ADAPTOR	1	
22E	BULKHEAD CONNECTOR	1	
23	CONTROL VALVE (c/w item 24)	1	140404
24	CONTROL VALVE BUTTON	1	140405
25	SCREW FOR ABOVE	1	140406
26	NYLON TUBE SET	1	1405
27	AIR INLET FILTER	1	1211
28	INLET FILTER BODY	1	1210
29	AIR INLET TAILPIECE	1	39101
29A	AIR INLET CHUCK	1	39102
29B	AIR HOSE CONNECTOR	1	39103
30	ELBOW	1	1427
31	UNION / VELOCITY VALVE	1	13025
32	RAM SEAL KIT (Containing Items 32A to 32D)	1	1302K
32A	BONDED WASHER	1	
32B	RAM SEAL	1	
32C	GUIDE RING	1	
32D	'O' RING	1	
33	CYLINDER	1	13021L
34	PISTON HEAD	1	13023
35	CYLINDER GLAND	1	13024
36	PISTON ROD	1	13022
37	HYDRAULIC HOSE ASSEMBLY	1	1125 (1325LN)

\* Supply c/w 120307A