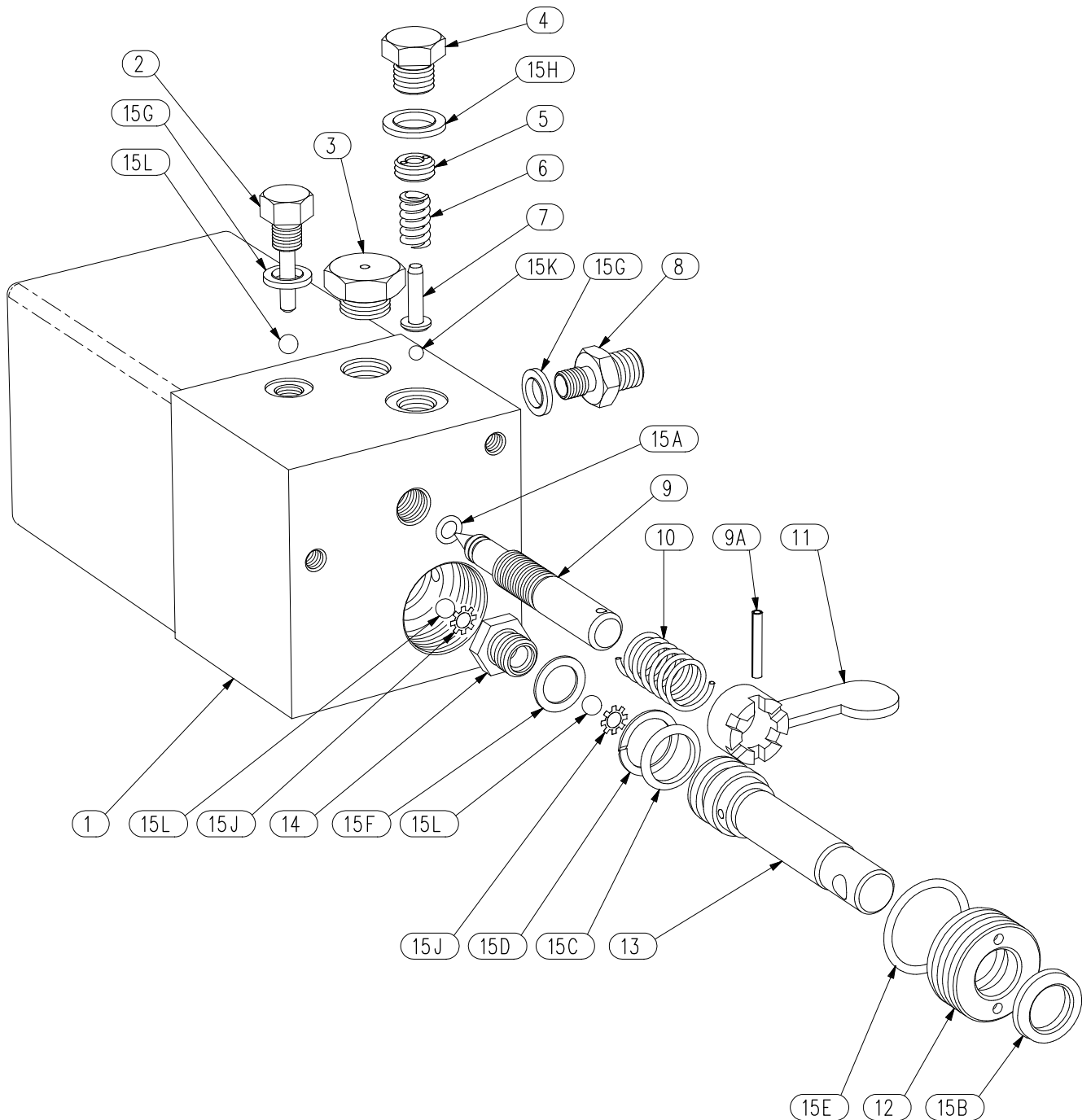


4.0 TONNE HAND OPERATED POWER PACK ASSEMBLY

Part Number 1503



4.0 TONNE HAND OPERATED POWER PACK ASSEMBLY
Part Number 1503

| <u>ITEM No.</u> | <u>DESCRIPTION</u> | <u>QTY</u> | <u>PART No.</u> |
|-----------------|---|------------|-----------------|
| 1 | VALVE BLOCK ASSEMBLY | 1 | 150301 |
| 2 | DELIVERY VALVE PLUG | 1 | 110303 |
| 3 | FILLER PLUG | 1 | 110312 |
| 4 | RELIEF VALVE PLUG | 1 | 110316 |
| 5 | RELIEF VALVE ADJUSTING COLLAR | 1 | 110315 |
| 6 | RELIEF VALVE SPRING | 1 | 110314 |
| 7 | RELIEF VALVE PISTON | 1 | 130313 |
| 8 | OUTLET UNION | 1 | 110311 |
| 9 | RELEASE SPINDLE | 1 | 110304 |
| 9A | LEVER RETAINING PIN | 1 | 110308 |
| 10 | RELEASE LEVER SPRING | 1 | 110310 |
| 11 | RELEASE LEVER | 1 | 110307 |
| 12 | PLUNGER GLAND | 1 | 110302 |
| 13 | PUMP PLUNGER | 1 | 110305 |
| 14 | BY-PASS VALVE SEAT | 1 | 110306 |
| 15 | POWER PACK SEAL KIT (Containing Items 15A to 15L) | 1 | 1103K |
| 15A | 'O' RING | 1 | |
| 15B | 'U' RING | 1 | |
| 15C | 'D' RING | 1 | |
| 15D | 'A.E.' RING | 1 | |
| 15E | O' RING | 1 | |
| 15F | COPPER WASHER | 1 | |
| 15G | BONDED WASHER | 2 | |
| 15H | BONDED WASHER | 1 | |
| 15J | STAR WASHER | 2 | |
| 15K | RELIEF VALVE BALL | 1 | |
| 15L | BALL | 3 | |