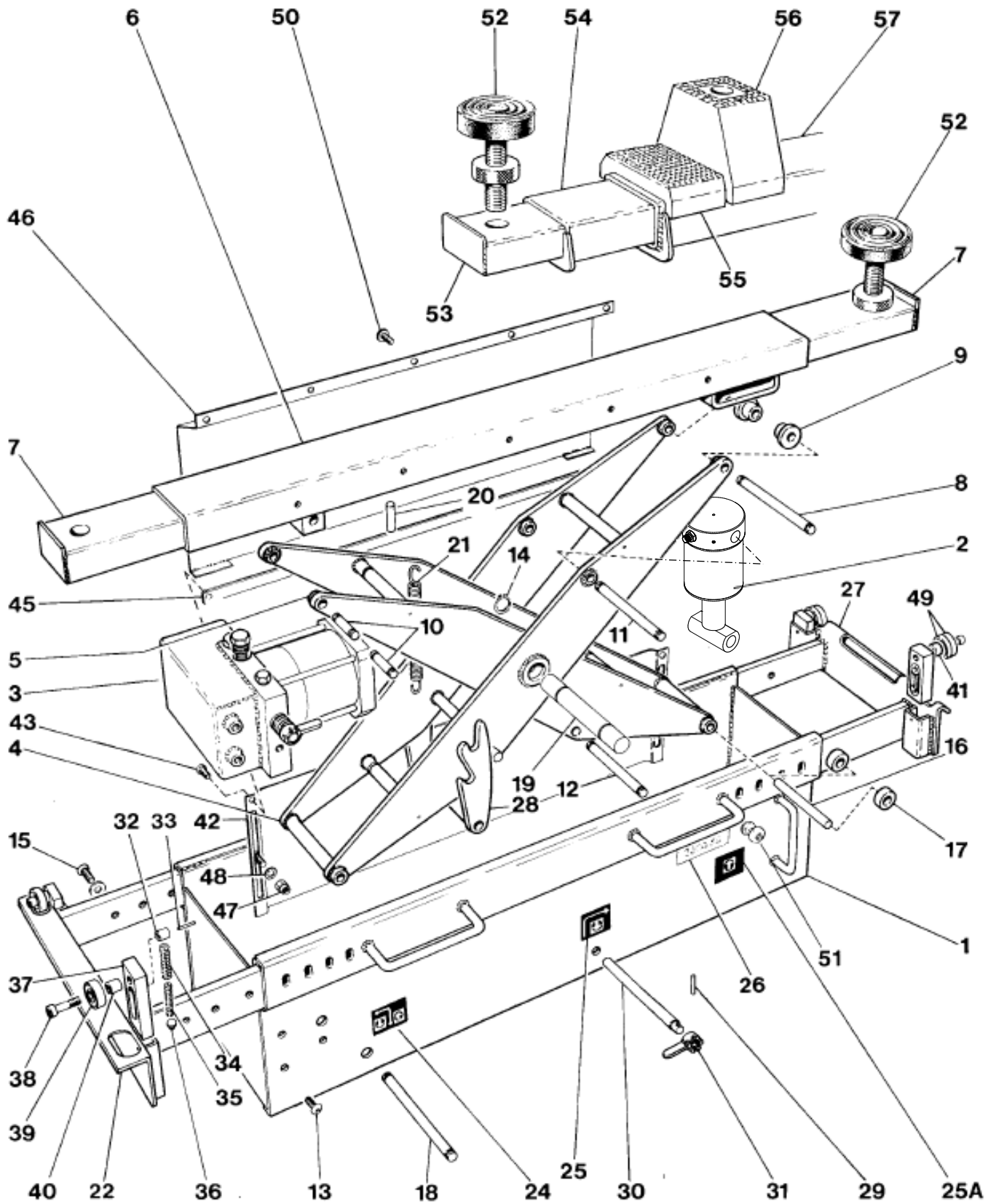


MPJ 2.6 / 2.8 AIR OPERATED JACKING BEAM

Ser. No. 16 / **** - ****



MPJ 2.6 / 2.8 AIR OPERATED JACKING BEAM

Ser. No. 16 / ****_****

ITEM	DESCRIPTION	QTY	PART No.
1	FRAME	1	1601
2	RAM ASSEMBLY COMPLETE	1	1502
	SERVICE EXCHANGE RAM	1	1502E
	RAM SEAL KIT	1	1502K
3	POWER PACK ASSY. COMPLETE	1	1603
	SERVICE EXCHANGE POWER PACK	1	1603E
	PUMP SEAL KIT	1	1203K
4	OUTER SCISSOR	1	1504L
5	INNER SCISSOR	1	1505L
6	TOP BEAM	1	1507L
7	EXTENSION ARM	2	1508
8	TOP ROLLER AXLE	1	1509
9	TOP ROLLER	2	1510
10	BEAM PIVOT PIN	2	1611
11	CYLINDER PIVOT PIN	1	1512
12	PISTON PIVOT PIN	1	1513
13	PUMP MOUNTING BOLT	3	1614
14	CIRCLIP SET	1	1616
15	SUPPORT ARM BOLT SET - FLAT ARMS	4	153310
	SUPPORT ARM BOLT SET - HOOK ARMS	2	133404
16	HOLLER AXLE	1	1517
17	BOTTOM ROLLER	2	1520
18	FIXED AXLE	1	1521
19	SCISSOR PIVOT PIN	1	1522
20	EXTENSION ARM STOP PIN	2	1123
21	RETURN SPRING	2	1124
22	SUPPORT ARM (FLAT TYPE) -,PAIR	1	1333
24	RELEASE LEVER INSTRUCTION	1	*
25	SAFETY CATCH INSTRUCTION LABEL	1	*
25A	RAISE CONTROL INSTRUCTION LABEL	1	*
26	CAPACITY LABEL	1	*
27	SUPPORT ARM (HOOK TYPE) - PAIR	1	1534
28	LOCKING CATCH	1	1528
29	RETAINING PIN	1	1531
30	LOCKING CATCH SPINDLE	1	1529
31	RELEASE LEVER	1	110307
32	SPRING STOP	4	153305
33	RETAINING PIN	4	153307
34	OUTER SPRING	4	1533081
35	INNER SPRING	4	1533082
36	SPRING PAD	4	133304
37	AXLE BRACKET	4	153302
38	ROLLER AXLE	4	133306
39	ROLLER (FLAT TYPE SUPPORT)	4	133309
40	ROLLER SPACER (FLAT TYPE SUPPORT)	4	133303
41	ROLLER SPACER (HOOK TYPE SUPPORT)	4	133403
42	LOWER FINGER GUARD	2	153802L
43	GUIDE STRIP RETAINING BOLT	4	**
44	HYDRAULIC HOSE	1	1625
45	GUIDE STRIP	2	153803L
46	UPPER FINGER GUARD	2	153801L
47	GUARD RETAINING NUT	4	**
48	WASHER FOR ABOVE	4	**
49	ROLLER (HOOK TYPE SUPPORT)	8	133409
50	UPPER GUARD SCREW	10	**
51	CONTROL VALVE	1	140404
52	LIFTING PAD ASSY	2	1532A
	REPLACEMENT RUBBER PAD	2	15324
53	DOUBLE EXTENSION ARM - OUTER L.H.	1	1509DEL
	DOUBLE EXTENSION ARM - OUTER R.H.	1	1509DER
54	DOUBLE EXTENSION ARM - INNER	2	1508DE
55	RAISER BLOCK- SHORT	2	1526
56	RAISER BLOCK - MEDIUM	2	1527
57	DOUBLE EXTENSION TOP BEAM	1	1507DE
*	ITEMS CONTAINED IN LABEL SET	1	LAB1
**	ITEMS CONTAINED IN FINGER GUARD FIXING SET	1	133804