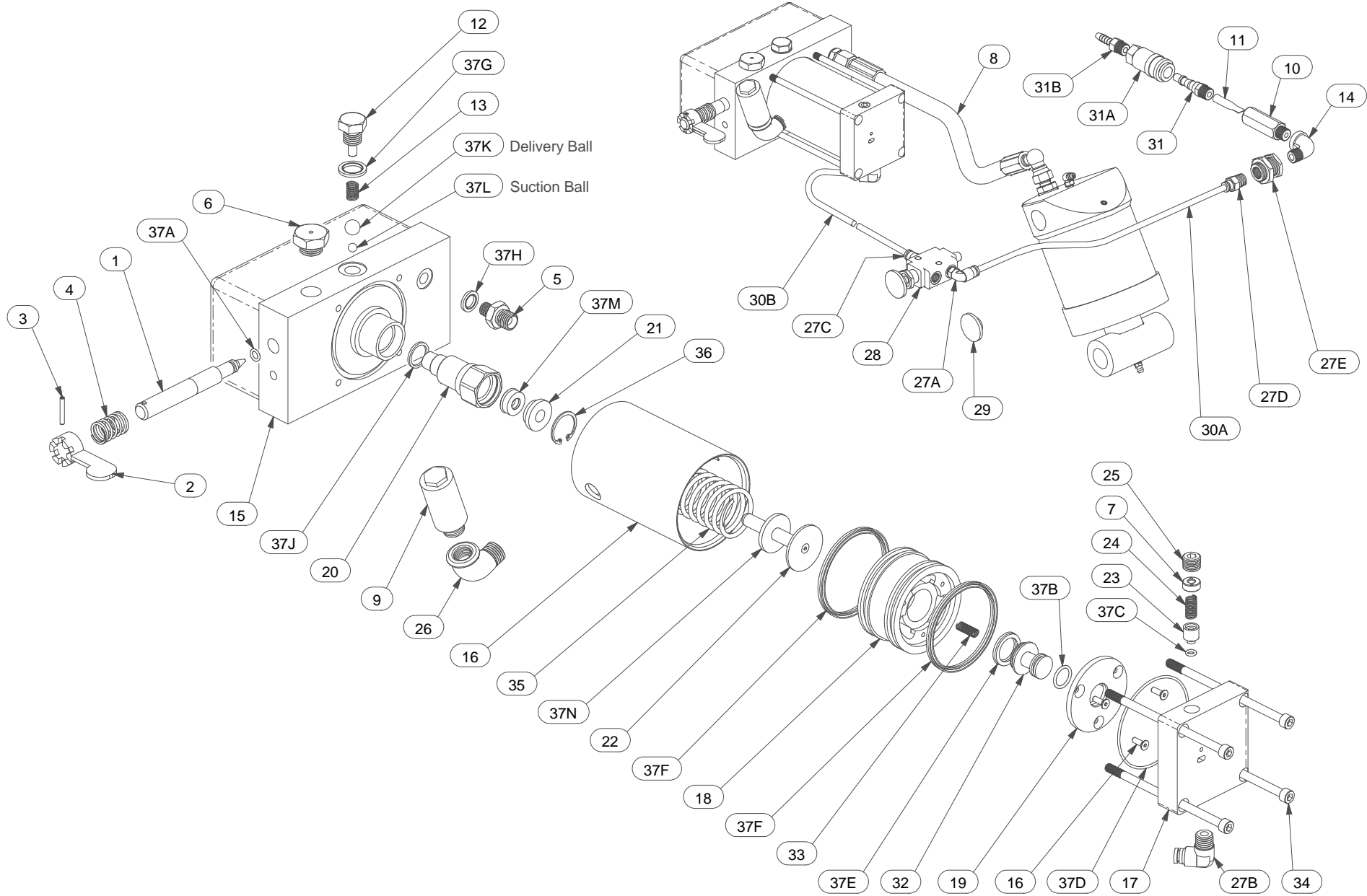


2.8T AIR OPERATED POWER PACK ASSEMBLY

Part Number 1653



2.8 TONNE AIR OPERATED POWER PACK ASSEMBLY

Part Number 1653

<u>ITEM No.</u>	<u>DESCRIPTION</u>		<u>QTY</u>	<u>PART No.</u>
1	RELEASE SPINDLE		1	160304
2	RELEASE LEVER		1	110307
3	LEVER RETAINING PIN		1	110308
4	RELEASE LEVER SPRING		1	110310
5	OUTLET UNION		1	110311
6	FILLER PLUG		1	110312
7	RELIEF VALVE ADJUSTING COLLAR		1	110315
8	HYDRAULIC HOSE ASSEMBLY		1	1525L
9	SILENCER		1	120315
10	INLET FILTER BODY		1	1210
11	AIR INLET FILTER		1	1211
12	DELIVERY VALVE PLUG		1	140302L
13	DELIVERY VALVE SPRING		1	140304L
14	ELBOW		1	1427
15	VALVE BLOCK ASSEMBLY		1	165301
16	AIR CYLINDER		1	145302
17	CYLINDER AIR CAP		1	145303
18	AIR PISTON		1	145304
19	PISTON END PLATE		1	145305
20	PUMP BARREL		1	165308
21	PLUNGER GLAND		1	165309
22	PUMP PLUNGER ASSEMBLY		1	165310
23	RELIEF VALVE PISTON		1	145311
24	RELIEF VALVE SPRING		1	185312
25	RELIEF VALVE CAP		1	145313
26	ELBOW		1	145314
27	AIR VALVES AND FITTINGS KIT	(Containing Items 27A to 27E)	1	1454
27A	SWIVEL ELBOW ADAPTOR		1	
27B	SWIVEL ELBOW ADAPTOR		1	
27C	STRAIGHT ADAPTOR		1	
27D	STRAIGHT ADAPTOR		1	
27E	BULKHEAD CONNECTOR		1	
28	CONTROL VALVE		1	145404
29	CONTROL VALVE BUTTON		1	1454041
30	POLYURETHANE TUBE SET		1	1655
31	AIR INLET TAILPIECE		1	39101
31A	AIR INLET CHUCK	Optional Extra	1	39102
31B	AIR HOSE CONNECTOR	Optional Extra	1	39103
32	SHUTTLE VALVE		1	791106
33	SHUTTLE VALVE SPRING		1	791107
34	CYLINDER CAP HEAD SCREW		4	791112
35	AIR PISTON RETURN SPRING		1	791113
36	GLAND RETAINER		1	850306
37	SEAL KIT	(Containing Items 37A to 37N)	1	1653K
37A - D	'O' RING		4	
37E - F	'U' RING		3	
37G - H	BONDED SEAL		2	
37J	COPPER WASHER		1	
37K - L	BALLS		2	
37M	ROD SEAL		1	
37N	PU WASHER		1	