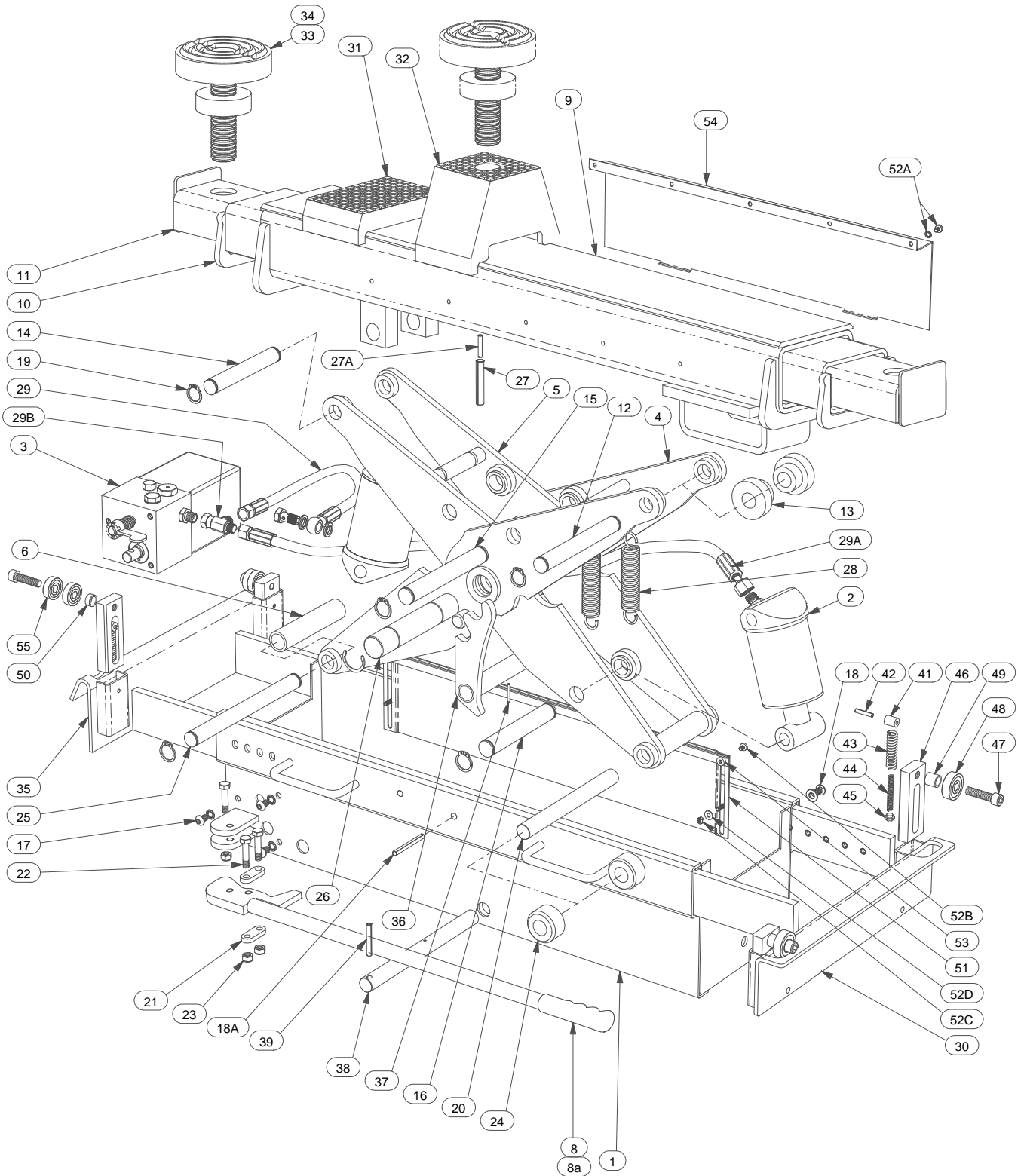


HPJ 4.0 TONNE HAND OPERATED SCISSOR JACKING BEAM

Ser. No. 16 / ****-****



HPJ 4.0 TONNE HAND OPERATED SCISSOR JACKING BEAM

Ser. No. 16 / ****_****

<u>ITEM No.</u>	<u>DESCRIPTION</u>	<u>QTY</u>	<u>PART No.</u>
1	FRAME	1	1751
2	RAM ASSEMBLY COMPLETE	1 Pr	1302L & 1702
	SERVICE EXCHANGE RAM	1 Pr	1302LE & 1702E
	RAM SEAL KIT	2	1302K
3	POWER PACK ASSEMBLY COMPLETE	1	1503
	SERVICE EXCHANGE POWER PACK	1	1503E
	PUMP SEAL KIT	1	1103K
4	OUTER SCISSOR	1	1704
5	INNER SCISSOR	1	1705
6	SPACER TUBE	1	15046
7	-		
8	OPERATING HANDLE	1	H1306LM
8a	HANDLE GRIP	1	5522
9	TOP BEAM	1	1707DE
10	EXTENSION ARM - INNER	2	1508DE
11	EXTENSION ARM - OUTER LHS	1	1509DEL
	EXTENSION ARM - OUTER RHS	1	1509DER
12	TOP ROLLER PIVOT PIN	1	1509
13	TOP ROLLER	2	1710
14	BEAM PIVOT PIN	1	1511
15	CYLINDER PIVOT PIN	2	1712
16	PISTON PIVOT PIN	2	1713
17	POWER PACK MOUNTING BOLT SET	1	1714
18	SUPPORT ARM BOLT SET - FLAT ARMS	2	153310
18A	SUPPORT ARM STOP - HOOK ARMS	1	153403S
19	CIRCLIP SET	1	1716
20	BOTTOM ROLLER AXLE	1	1517
21	PLUNGER LINK	2	1118
22	PLUNGER LINK PIN	3	1119
23	NYLOC NUT M8	3	
24	BOTTOM ROLLER	2	1520
25	FIXED AXLE	1	1521
26	SCISSOR PIVOT PIN	1	1522
27	EXTENSION ARM STOP TUBE	2	15084DE
27A	EXTENSION ARM STOP PIN	2	1123
28	RETURN SPRING	2	1124
29	HOSE ASSEMBLY LH RAM	1	1755
29A	HOSE ASSEMBLY RH RAM	1	1754
29B	SWIVEL TEE PIECE	1	1756
30	SUPPORT ARM (FLAT TYPE) -	Quote Support Arm Pt	1pr
31	RAISER BLOCK - SHORT - 25mm	2	1526
32	RAISER BLOCK - TALL - 95mm	2	1527
33	LIFTING PAD ASSEMBLY	2	1532A
34	REPLACEMENT RUBBER PAD	2	15324
35	SUPPORT ARM (HOOK TYPE) -	Quote Support Arm Pt	1pr
36	LOCKING CATCH	1	1528
37	RETAINING PIN	1	1531
38	LOCKING CATCH SPINDLE	1	1529
39	RELEASE LEVER	1	1331
40			
41	SPRING STOP	4	153305
42	RETAINING PIN	4	153307
43	OUTER SPRING	4	1533081
44	INNER SPRING	4	1533082
45	SPRING PAD	4	133304
46	AXLE BRACKET	4	153302
47	ROLLER AXLE	Quote Support Arm Pt	4
48	ROLLER (FLAT TYPE SUPPORT) Ø35	4	133309
49	ROLLER SPACER (FLAT SUPPORT)	Quote Support Arm Pt	4
50	ROLLER SPACER (HOOK SUPPORT)	Quote Support Arm Pt	4
51	LOWER FINGER GUARD	2	153802LP
52	FINGER GUARD FIXING SET (Containing Items 52A to 52D)	1	133804
52A	UPPER GUARD SCREW & INTERNAL SHAKEPROOF	10	
52B	GUIDE STRIP RETAINING SCREW	4	
52C	GUARD RETAINING NUT	4	
52D	WASHER FOR ABOVE	4	
53	GUIDE STRIP	2	153803LP
54	UPPER FINGER GUARD	2	153801LP
55	ROLLER (HOOK TYPE SUPPORT) Ø30mm	8	133409