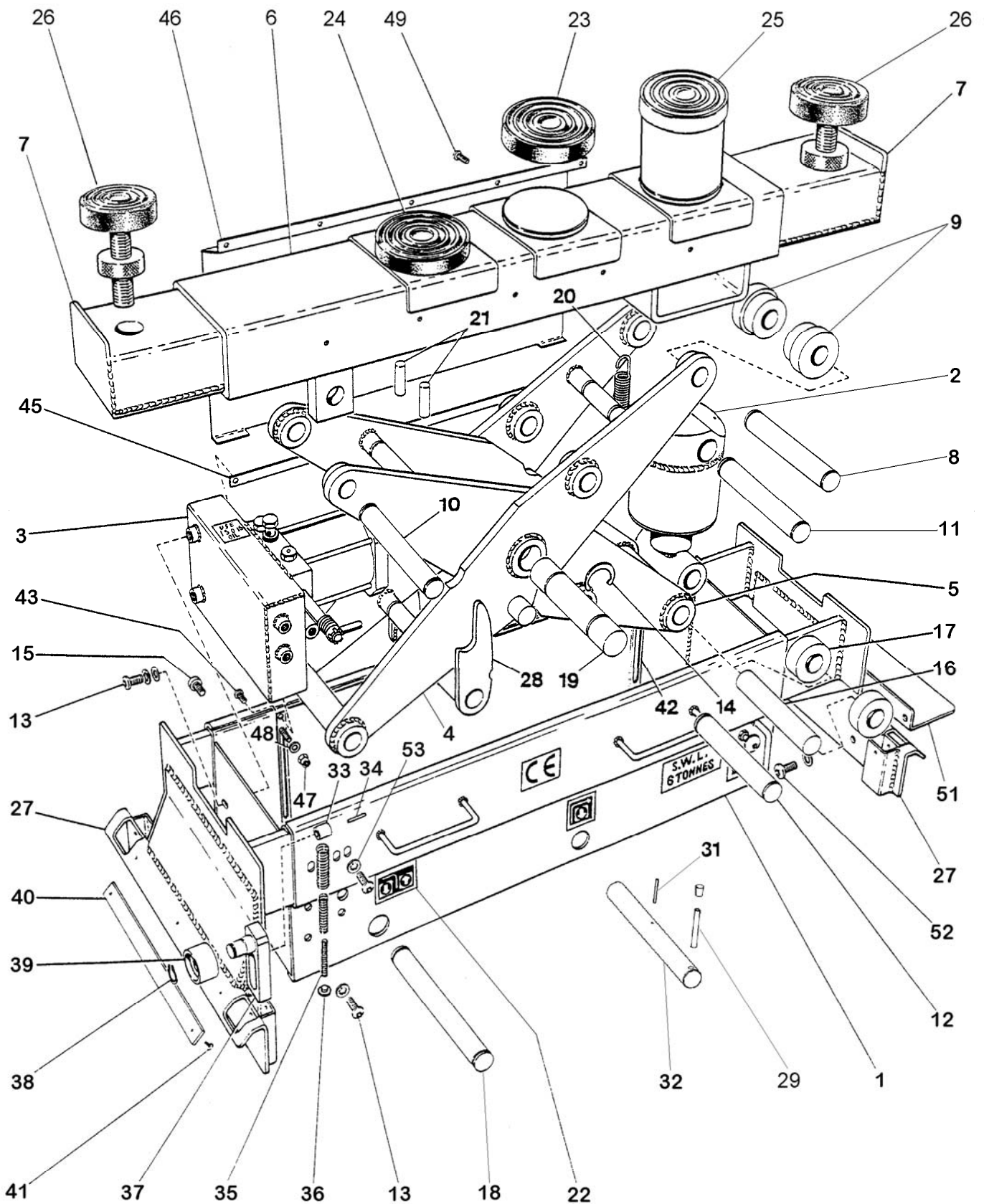


HPJ 6.0 TONNE AIR OPERATED SCISSOR JACKING BEAM

Ser. No. 18 / ****-****



HPJ 6 TONNE AIR OPERATED SCISSOR JACKING BEAM

Ser. No. 18 / ****_****

<u>ITEM No.</u>	<u>DESCRIPTION</u>	<u>QTY</u>	<u>PART No.</u>
1	FRAME ASSEMBLY	1	1801
2	RAM ASSEMBLY	1	1802
	SERVICE EXCHANGE	1	1802E
3	POWER PACK ASSEMBLY)	1	1803
	SERVICE EXCHANGE) Pre 18/****-1001	1	1803E
	POWER PACK ASSEMBLY)	1	1853
	SERVICE EXCHANGE) Post 18/****-1001	1	1853E
4	OUTER SCISSOR ASSEMBLY	1	1804
5	INNER SCISSOR ASSEMBLY	1	1805
6	TOP BEAM ASSEMBLY	1	1807
7	EXTENSION ARM ASSEMBLY	2	1808
8	TOP ROLLER PIVOT PIN	1	1809
9	TOP ROLLER	2	1810
10	BEAM PIVOT PIN	1	1811
11	CYLINDER PIVOT PIN	1	1812
12	PISTON PIVOT PIN	1	1813
13	PUMP MOUNTING BOLT SET	1	1814
14	CIRCLIP SET	2	1816
15	SUPPORT ARM RETAINING BOLT (Fixed Arms)	2	183411
16	ROLLER AXLE	1	1817
17	BOTTOM ROLLER	2	1820
18	FIXED AXLE	1	1821
19	SCISSORS PIVOT PIN	1	1822
20	RETURN SPRING	2	1824
21	EXTENSION ARM STOP PIN	4	1823
22	LABEL SET	1	LAB1
23	REPLACEMENT RUBBER PAD	2	183503
24	LIFTING PAD COMPLETE	2	1835
25	RAISER BLOCK	2	1836
26	EXTENSION SCREW ASSEMBLY	2	1532A
27	SUPPORT ARM – PAIR	1	1834
28	LOCKING CATCH	1	1828
29	RELEASE LEVER	1	1331
30	-	-	-
31	LOCKING CATCH RETAINING PIN	1	1831
32	LOCKING CATCH SPINDLE	1	1829
33	SPRING STOP	4	183404
34	RETAINING PIN	4	183409
35	AXLE BRACKET SPRING SET	4	183410
36	SPRING PAD	4	183405
37	AXLE BRACKET ASSEMBLY	4	183403
38	ROLLER CIRCLIP	4	183412
39	ROLLER ASSEMBLY	4	183407
40	SLIDING STRIP	2	183408
41	SCREW	6	3516
42	LOWER FINGER GUARD	2	183802
43	GUIDE STRIP RETAINING BOLT	4	*
45	GUIDE STRIP	2	183803
46	UPPER FINGER GUARD	2	183801
47	GUARD RETAINING NUT	4	*
48	WASHER FOR ABOVE	4	*
49	UPPER GUARD SCREW	10	*
51	RETAINING STRIP	2	183413
52	BOLT AND WASHER SET	4	182414
53	SUPPORT ARM RETAINING BOLT SET (Sliding Arms)	2	153310
*	ITEMS IN FINGER GUARD FIXING SET	1	133804