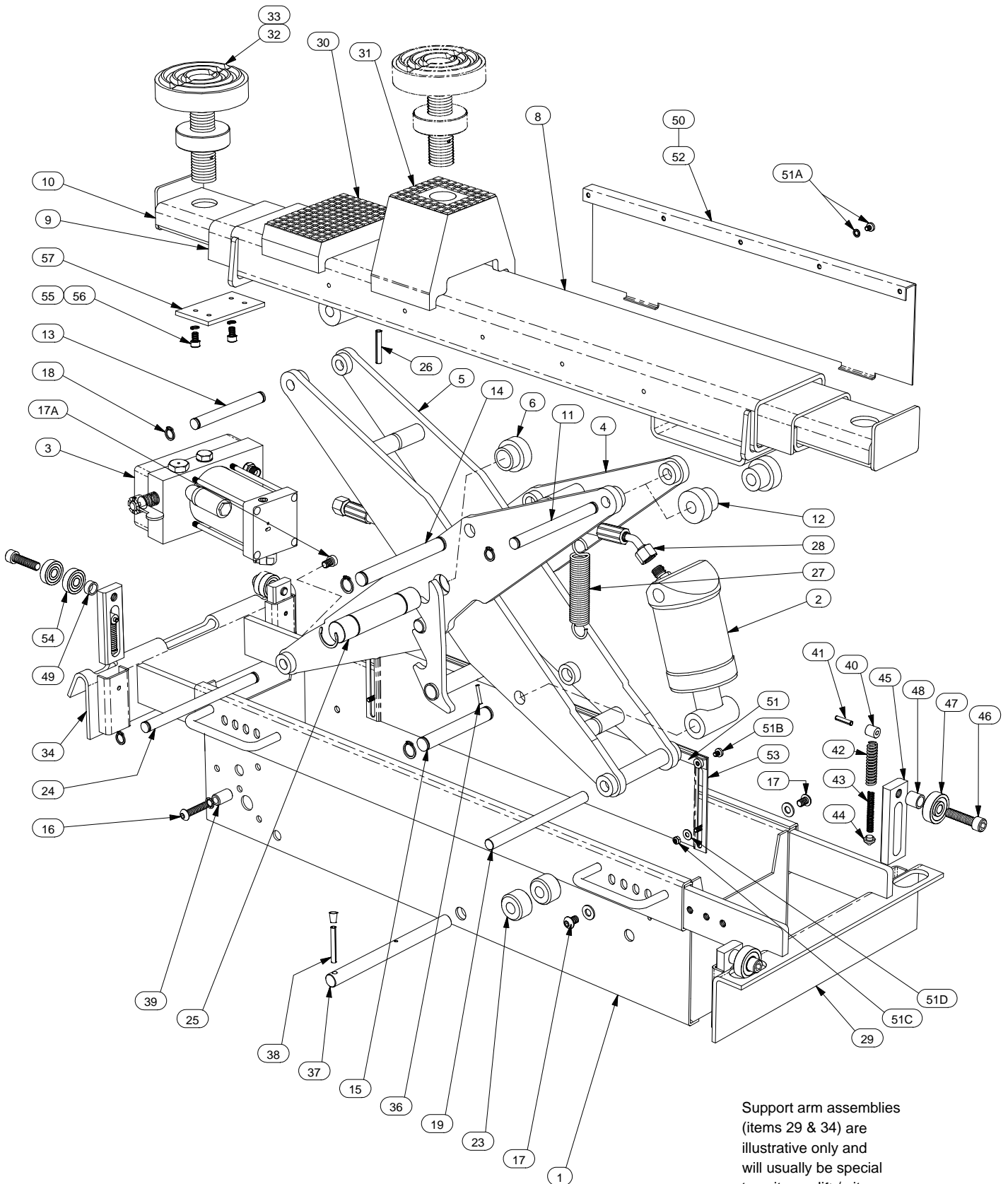


# 2.0 TONNE AIR OPERATED SCISSOR JACKING BEAM

Part Number H1400



## 2.0 TONNE AIR OPERATED SCISSOR JACKING BEAM

### Part Number H1400

<u>ITEM No.</u>	<u>DESCRIPTION</u>	<u>QTY</u>	<u>PART No.</u>
1	FRAME	1	H1401
2	RAM ASSEMBLY COMPLETE	1	H1402
	SERVICE EXCHANGE RAM	1	H1402E
	RAM SEAL KIT	1	1302K
3	POWER PACK ASSEMBLY COMPLETE	1	H1453
	SERVICE EXCHANGE POWER PACK	1	H1453E
	PUMP SEAL KIT	1	1453K
4	OUTER SCISSOR	1	H1304SB
5	INNER SCISSOR	1	H1305SB
6	BOSS – CENTRE PIVOT	2	13042
7	-		
8	TOP BEAM	1	L1306DE
9	EXTENSION ARM – INNER LHS	2	L1308DEL
	EXTENSION ARM – INNER RHS	2	L1308DER
10	EXTENSION ARM - OUTER LHS	1	L1309DEL
	EXTENSION ARM - OUTER RHS	1	L1309DER
11	TOP ROLLER AXLE	1	1309
12	TOP ROLLER	2	1310
13	BEAM PIVOT PIN	1	1311
14	CYLINDER PIVOT PIN	1	1312
15	PISTON PIVOT PIN	1	1313
16	POWER PACK MOUNTING BOLT SET	1	1214
17	SUPPORT ARM BOLT SET – FLAT ARMS	4	133310
17A	SUPPORT ARM STOP BOLT – HOOK ARMS (Fit No Washers)	2	133404
18	CIRCLIP SET	1	1316
19	BOTTOM ROLLER AXLE	1	1317
20	-		
21	-		
22	-		
23	BOTTOM ROLLER	2	1320
24	FIXED AXLE	1	1321
25	SCISSOR PIVOT PIN	1	1322SB
26	EXTENSION ARM STOP PIN	2	15084
27	RETURN SPRING	1	1124
28	HYDRAULIC HOSE	1	1125
29	SUPPORT ARM (FLAT TYPE) –	Quote Support Arm Pt No.	1pr
30	RAISER BLOCK – SHORT – 25mm	2	1526
31	RAISER BLOCK – TALL- 95/78mm	2	1527
32	LIFTING PAD ASSEMBLY	2	1532A
33	REPLACEMENT RUBBER PAD	2	15324
34	SUPPORT ARM (HOOK TYPE) –	Quote Support Arm Pt No.	1pr
35	LOCKING CATCH	1	H1428
36	RETAINING PIN	1	1531
37	LOCKING CATCH SPINDLE	1	1329
38	RELEASE LEVER	1	1331
39	STOP – RELEASE LEVER	1	1206
40	SPRING STOP	4	133305
41	RETAINING PIN	4	133307
42	OUTER SPRING	4	1333081
43	INNER SPRING	4	1333082
44	SPRING PAD	4	133304
45	AXLE BRACKET	4	133302
46	ROLLER AXLE	Quote Support Arm Pt No.	4
47	ROLLER (FLAT TYPE SUPPORT)	Ø35mm	4
48	ROLLER SPACER (FLAT SUPPORT)	Quote Support Arm Pt No.	4
49	ROLLER SPACER (HOOK SUPPORT)	Quote Support Arm Pt No.	4
50	FINGER GUARD SET (Containing Items 51, 51A to 51D, 52 & 53)	1	H1430
51	GUIDE STRIP	2	133003L
51A	UPPER GUARD SCREW & INTERNAL SHAKEPROOF WASHER	10	)
51B	GUIDE STRIP RETAINING SCREW	4	)
51C	GUARD RETAINING NUT	4	) 133804
51D	WASHER FOR ABOVE	4	)
52	UPPER FINGER GUARD	2	H143001
53	LOWER FINGER GUARD	2	H143002
54	ROLLER (HOOK TYPE SUPPORT) Ø 30mm	8	133409
55	M6x12 SOCKET HEAD CAP SCREW	4	15076DE
56	M6 SINGLE COIL SPRING WASHER	4	15078DE
67	STOP PLATE	2	15075DE