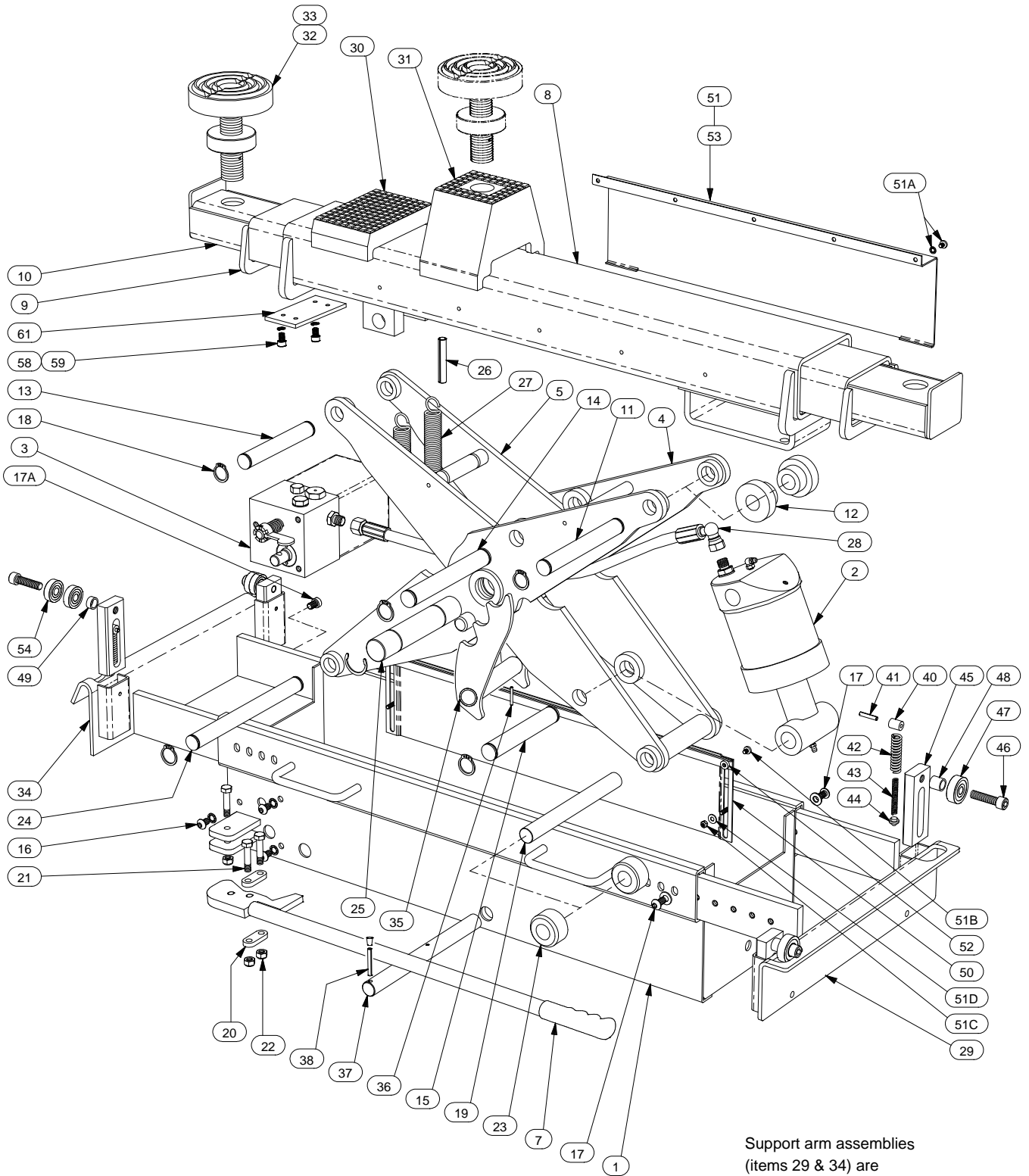


2.8 TONNE HAND OPERATED SCISSOR JACKING BEAM

Part Number H1500



Support arm assemblies (items 29 & 34) are illustrative only and will usually be special to suit your pit / lift.

2.8 TONNE HAND OPERATED SCISSOR JACKING BEAM

Part Number H1500

<u>ITEM No.</u>	<u>DESCRIPTION</u>	<u>QTY</u>	<u>PART No.</u>
1	FRAME	1	H1501
2	RAM ASSEMBLY COMPLETE	1	H1602
	SERVICE EXCHANGE RAM	1	H1602E
	RAM SEAL KIT	1	1502K
3	POWER PACK ASSEMBLY COMPLETE	1	H1503
	SERVICE EXCHANGE POWER PACK	1	1503E
	PUMP SEAL KIT	1	1103K
4	OUTER SCISSOR	1	H1604
5	INNER SCISSOR	1	H1605
6	-		
7	OPERATING HANDLE	1	1506LM
8	TOP BEAM	1	H1606DE
9	EXTENSION ARM – INNER LHS	1	L1508DEL
	EXTENSION ARM – INNER RHS	1	L1508DER
10	EXTENSION ARM - OUTER LHS	1	L1509DEL
	EXTENSION ARM - OUTER RHS	1	L1509DER
11	TOP ROLLER AXLE	1	1509
12	TOP ROLLER	2	1510
13	BEAM PIVOT PIN	1	1511
14	CYLINDER PIVOT PIN	1	1512
15	PISTON PIVOT PIN	1	1513
16	POWER PACK MOUNTING BOLT SET	1	1114
17	SUPPORT ARM BOLT SET – FLAT ARMS	4	153310
17A	SUPPORT ARM STOP BOLT – HOOK ARMS (Fit No Washers)	2	133404
18	CIRCLIP SET	1	1516
19	BOTTOM ROLLER AXLE	1	1517
20	PLUNGER LINK	2	1118
21	PLUNGER LINK PIN	3	1119
22	NYLOC NUT	3	M8 NYLOC
23	BOTTOM ROLLER	2	1520
24	FIXED AXLE	1	1521
25	SCISSOR PIVOT PIN	1	1522
26	EXTENSION ARM STOP PIN	2	15084DE
27	RETURN SPRING	2	1124
28	HYDRAULIC HOSE	1	1525L
29	SUPPORT ARM (FLAT TYPE) –	Quote Support Arm Pt No.	1pr
30	RAISER BLOCK – SHORT – 25mm	2	1526
31	RAISER BLOCK – TALL – 95/78mm	2	1527
32	LIFTING PAD ASSEMBLY	2	1532A
33	REPLACEMENT RUBBER PAD	2	15324
34	SUPPORT ARM (HOOK TYPE) –	Quote Support Arm Pt No.	1pr
35	LOCKING CATCH	1	H1628
36	RETAINING PIN	1	1531
37	LOCKING CATCH SPINDLE	1	1529
38	RELEASE LEVER	1	1331
39			
40	SPRING STOP	4	153305
41	RETAINING PIN	4	153307
42	OUTER SPRING	4	1533081
43	INNER SPRING	4	1533082
44	SPRING PAD	4	133304
45	AXLE BRACKET	4	153302
46	ROLLER AXLE	Quote Support Arm Pt No.	4
47	ROLLER (FLAT TYPE SUPPORT) Ø35	4	133309
48	ROLLER SPACER (FLAT SUPPORT)	Quote Support Arm Pt No.	4
49	ROLLER SPACER (HOOK SUPPORT)	Quote Support Arm Pt No.	4
50	LOWER FINGER GUARD	2	H163002
51	FINGER GUARD SET (Containing Items 50, 51A to 51D, 52 & 53)	1	H1630
51A	UPPER GUARD SCREW & INTERNAL SHAKEPROOF WASHER	10)
51B	GUIDE STRIP RETAINING SCREW	4)
51C	GUARD RETAINING NUT	4) 133804
51D	WASHER FOR ABOVE	4)
52	GUIDE STRIP	2	153803LP
53	UPPER FINGER GUARD	2	H163001
54	ROLLER (HOOK TYPE SUPPORT) Ø30mm	8	133409
55	-		
56	-		
57	-		
58	M6x12 SOCKET HEAD CAP SCREW	4	15076DE
59	M6 SINGLE COIL SPRING WASHER	4	15078DE