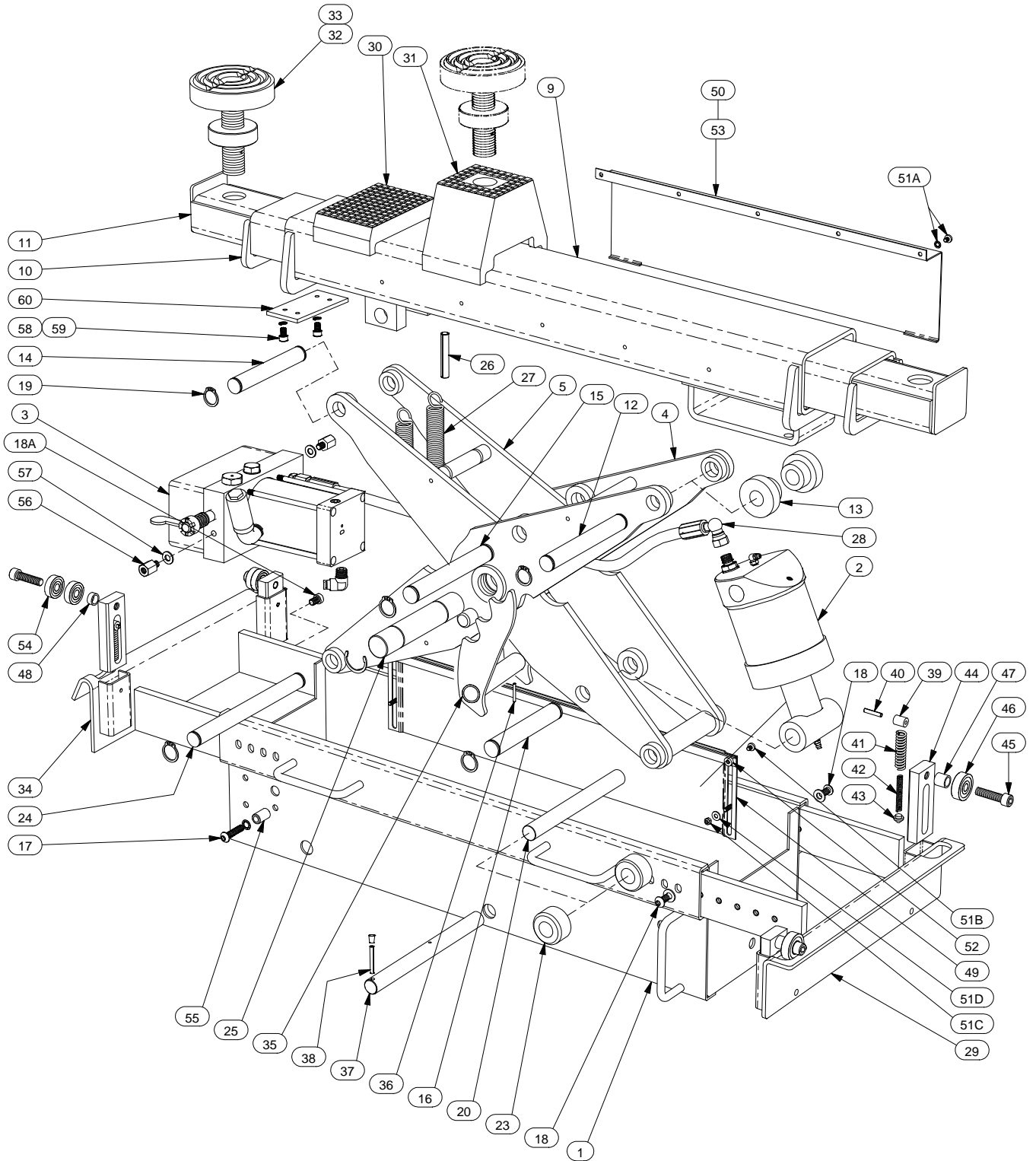


2.8 TONNE AIR OPERATED SCISSOR JACKING BEAM

Part Number H1600



Support arm assemblies (items 30 & 35) are illustrative only and will usually be special to suit your pit / lift.

2.8 TONNE AIR OPERATED SCISSOR JACKING BEAM

Part Number H1600

<u>ITEM No.</u>	<u>DESCRIPTION</u>	<u>QTY</u>	<u>PART No.</u>
1	FRAME	1	H1601
2	RAM ASSEMBLY COMPLETE	1	H1602
	SERVICE EXCHANGE RAM	1	H1602E
	RAM SEAL KIT	1	1502K
3	POWER PACK ASSEMBLY COMPLETE	1	H1653
	SERVICE EXCHANGE POWER PACK	1	H1653E
	PUMP SEAL KIT	1	16531K
4	OUTER SCISSOR	1	H1604
5	INNER SCISSOR	1	H1605
6	-		
7	-		
8	-		
9	TOP BEAM	1	H1606DE
10	EXTENSION ARM – INNER LHS	1	L1508DEL
	EXTENSION ARM – INNER RHS	1	L1508DER
11	EXTENSION ARM - OUTER LHS	1	L1509DEL
	EXTENSION ARM - OUTER RHS	1	L1509DER
12	TOP ROLLER AXLE	1	1509
13	TOP ROLLER	2	1510
14	BEAM PIVOT PIN	1	1511
15	CYLINDER PIVOT PIN	1	1512
16	PISTON PIVOT PIN	1	1513
17	POWER PACK MOUNTING BOLT SET	1	1214
18	SUPPORT ARM BOLT SET – FLAT ARMS	4	153310
18A	SUPPORT ARM STOP BOLT – HOOK ARMS (Fit No Washers)	2	133404
19	CIRCLIP SET	1	1616L
20	BOTTOM ROLLER AXLE	1	1517
21	-		
22	-		
23	BOTTOM ROLLER	2	1520
24	FIXED AXLE	1	1521
25	SCISSOR PIVOT PIN	1	1522
26	EXTENSION ARM STOP PIN	2	15084DE
27	RETURN SPRING	2	1124
28	HYDRAULIC HOSE	1	1525L
29	SUPPORT ARM (FLAT TYPE) –	Quote Support Arm Pt No.	1pr
30	RAISER BLOCK – SHORT – 25mm	2	1526
31	RAISER BLOCK – TALL – 95/78mm	2	1527
32	LIFTING PAD ASSEMBLY	2	1532A
33	REPLACEMENT RUBBER PAD	2	15324
34	SUPPORT ARM (HOOK TYPE) –	Quote Support Arm Pt No.	1pr
35	LOCKING CATCH	1	H1628
36	RETAINING PIN	1	1531
37	LOCKING CATCH SPINDLE	1	1529
38	RELEASE LEVER	1	1331
39	SPRING STOP	4	153305
40	RETAINING PIN	4	153307
41	OUTER SPRING	4	1533081
42	INNER SPRING	4	1533082
43	SPRING PAD	4	133304
44	AXLE BRACKET	4	153302
45	ROLLER AXLE	Quote Support Arm Pt No.	4
46	ROLLER (FLAT TYPE SUPPORT) Ø35mm	4	133309
47	ROLLER SPACER (FLAT SUPPORT)	Quote Support Arm Pt No.	4
48	ROLLER SPACER (HOOK SUPPORT)	Quote Support Arm Pt No.	4
49	LOWER FINGER GUARD	2	H163002
50	FINGER GUARD SET (Containing Items 50, 51A to 51D, 52 & 53)	1	H1630
51A	UPPER GUARD SCREW & INTERNAL SHAKEPROOF WASHER	10)
51B	GUIDE STRIP RETAINING SCREW	4)
51C	GUARD RETAINING NUT	4) 133804
51D	WASHER FOR ABOVE	4)
52	GUIDE STRIP	2	153803LP
53	UPPER FINGER GUARD	2	H163001
54	ROLLER (HOOK TYPE SUPPORT) Ø30mm	8	133409
55	STOP – RELEASE LEVER	1	1206
56	PILLAR	3	1615L
57	FLAT WASHER	3	M8 FORM 'A'
58	M6x12 SOCKET HEAD CAP SCREW	4	15076DE
59	M6 SINGLE COIL SPRING WASHER	4	15078DE
60	STOP PLATE	2	15075DE