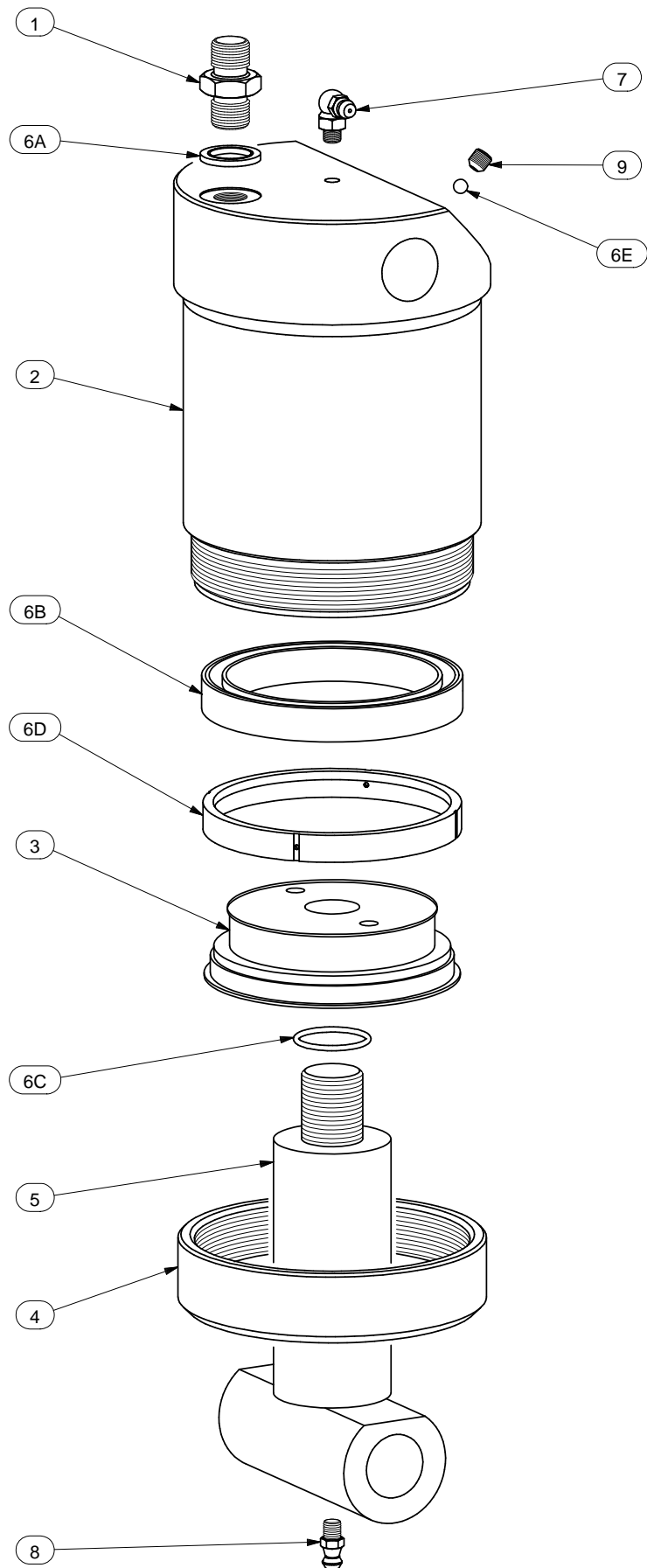


2.8 TONNE RAM ASSEMBLY

Part Number H1602



2.8 TONNE RAM ASSEMBLY
Part Number H1602

<u>ITEM No.</u>	<u>DESCRIPTION</u>	<u>QTY</u>	<u>PART No.</u>
1	UNION / VELOCITY VALVE	1	15025
2	CYLINDER	1	H16021
3	PISTON HEAD	1	H16023
4	CYLINDER GLAND	1	H16024
5	PISTON ROD	1	H16022
6	RAM SEAL KIT (Containing Items 6A to 6E)	1	1502K
6A	BONDED WASHER	1	
6B	RAM SEAL	1	
6C	'O' RING	1	
6D	GUIDE RING	1	
6E	BALL	1	
7	GREASE NIPPLE	1	15026L
8	GREASE NIPPLE	1	15026
9	BLEED SCREW	1	3504