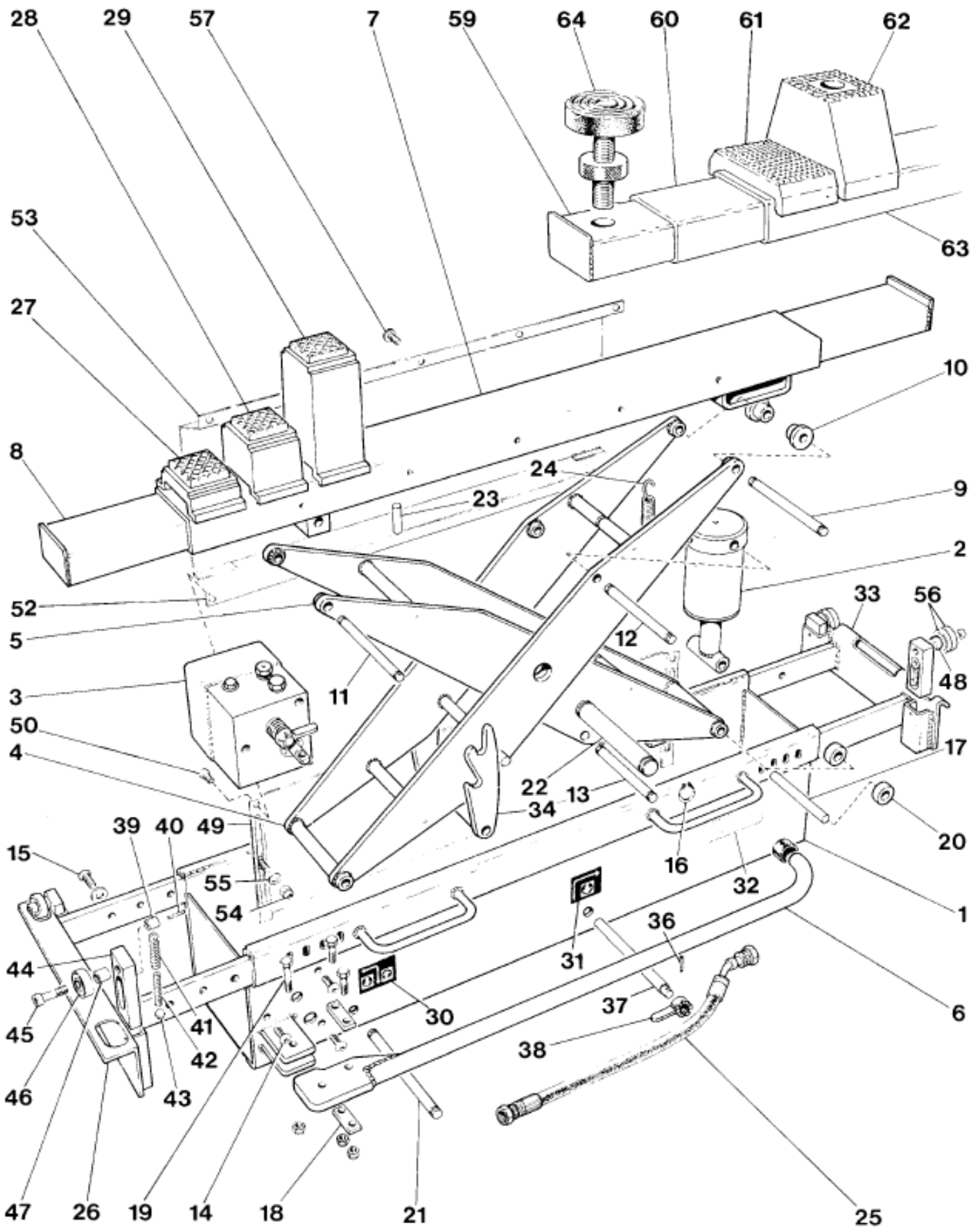


# HPJ 1.5 TONN HAND OPERATED JACKING BEAM

Ser. No. 13/ \*\*\*\* - \*\*\*\*



## HPJ 1.5 TONNE HAND OPERATED JACKING BEAM

Ser. No. 13/\*\*\*\*\_\*\*\*\*

ITEM No	DESCRIPTION	QTY	PART No
1	FRAME	1	1301
2	RAM ASSEMBLY COMPLETE	1	1302
3	POWER PACK ASSY COMPLETE	1	1303
4	OUTER SCISSOR	1	1304
5	INNER SCISSOR	1	1305
6	OPERATING HANDLE (1506L Obsolete)	1	1506LM
7	TOP BEAM	1	1307
8	EXTENSION ARM	2	1108
9	TOP ROLLER AXLE	1	1309
10	TOP ROLLER	2	1310
11	BEAM PIVOT PIN	1	1311
12	CYLINDER PIVOT BEAM	1	1312
13	PISTON PIVOT PIN	1	1313
14	PUMP MOUNTING BOLT	3	1114
15	SUPPORT ARM BOLT SET – FLAT ARMS	4	133310
	SUPPORT ARM BOLT SET - HOOK ARMS	2	133404
16	CIRCLIP SET	1	1316
17	ROLLER AXLE	1	1317
18	PLUNGER LINK	2	1118
19	PLUNGER LINK PIN	3	1119
20	BOTTOM ROLLER	1	1320
21	FIXED AXLE	1	1321
22	SCISSOR PIVOT PIN	1	1322
23	EXTENSION ARM STOP PIN	2	1123
24	RETURN SPRING	1	1124
25	HYDRAULIC HOSE	1	1125
26	SUPPORT ARM (FLAT TYPE) - PAIR	1	1333
27	RAISER BLOCK - SMALL	2	112601
28	RAISER BLOCK - MEDIUM	2	112602
29	RAISER BLOCK - TALL	2	112603
30	RELEASE LEVER INSTRUCTION LABEL	1	*
31	SAFETY CATCH INSTRUCTION LABEL	1	*
32	CAPACITY LABEL	1	*
33	SUPPORT ARM (HOOK TYPE) - PAIR	1	1334
34	LOCKING CATCH	1	1328
36	RETAINING PIN	1	110308
37	LOCKING CATCH SPINDLE	1	1329
38	RELEASE LEVER	1	110307
39	SPRING STOP	4	133305
40	RETAINING PIN	4	133307
41	OUTER SPRING	4	1333081
42	INNER SPRING	4	1333082
43	SPRING PAD	4	133304
44	AXLE BRACKET	4	133302
45	ROLLER AXLE	4	133306
46	ROLLER (FLAT TYPE SUPPORT)	4	133309
47	ROLLER SPACER (FLAT TYPE SUPPORT)	4	133303
48	ROLLER SPACER (HOOK TYPE SUPPORT)	4	133403
49	LOWER FINGER GUARD	2	133802
50	GUIDE STRIP RETAINING BOLT	4	**
52	GUIDE STRIP	2	133803
53	UPPER FINGER GUARD	2	133801
54	GUARD RETAINING NUT	4	**
55	WASHER FOR ABOVE	4	**
56	ROLLER (HOOK TYPE SUPPORT)	8	133409
57	UPPER GUARD SCREW	10	**
58	WASHER FOR ABOVE	10	**
59	DOUBLE EXTENSION ARM - OUTER L.H.	1	1309DEL
	DOUBLE EXTENSION ARM - OUTER R.H.	1	1309DER
60	DOUBLE EXTENSION ARM - INNER	2	1308DE
61	DOUBLE EXTENSION RAISER BLOCK - SHORT	2	1526
62	DOUBLE EXTENSION RAISER BLOCK - MEDIUM	2	1527
63	DOUBLE EXTENSION TOP BEAM	1	1307DE
64	DOUBLE EXTENSION LIFTING PAD ASSY	2	1532A
	REPLACEMENT RUBBER PAD	2	15324
*	ITEMS CONTAINED IN LABEL SET	1	LAB1
**	ITEMS CONTAINED IN FINGER GUARD FIXING SET	4	133804