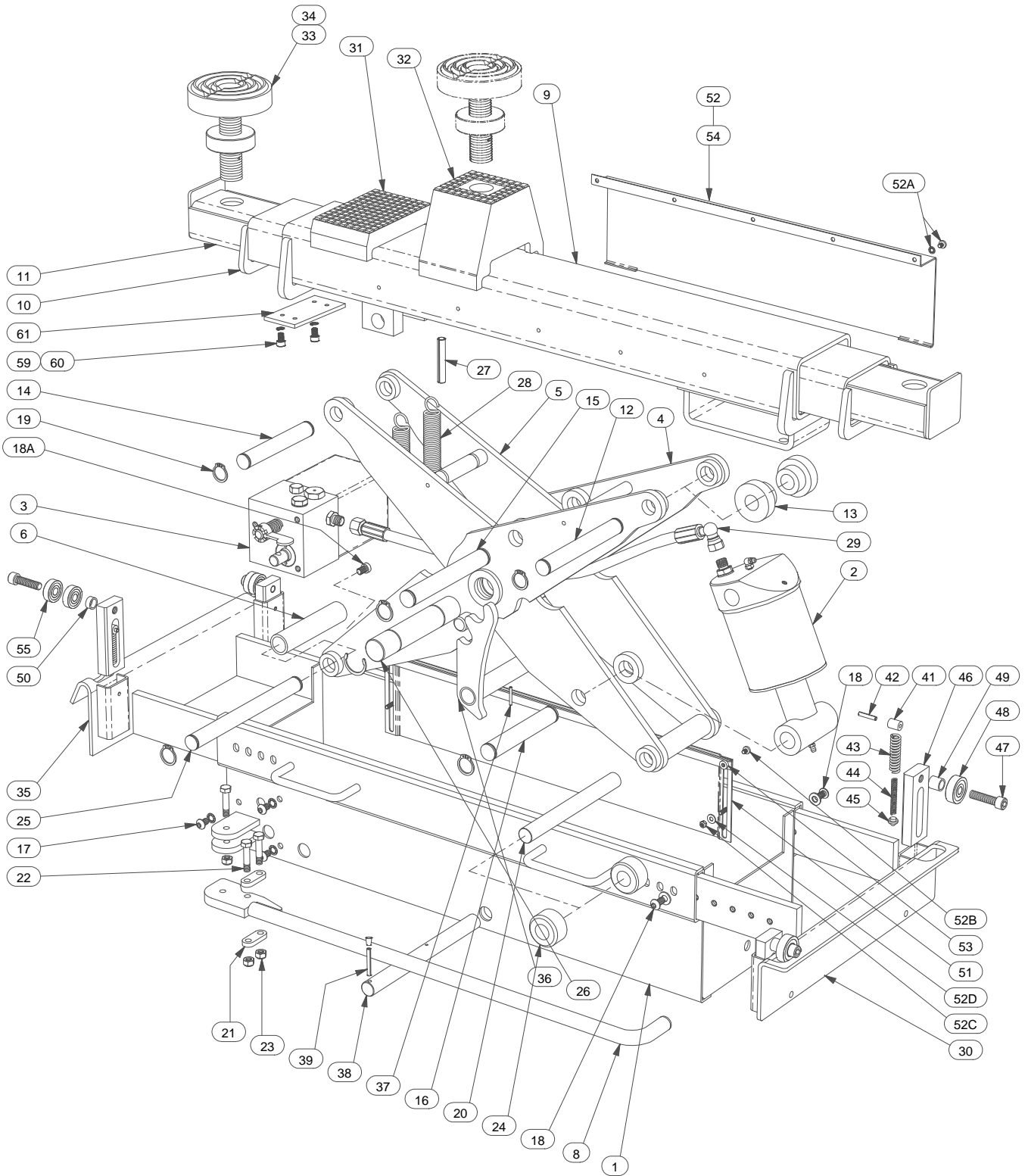


HPJ 2.8 TONNE HAND OPERATED SCISSOR JACKING BEAM

Ser. No. 17L / ****-****



HPJ 2.8 TONNE HAND OPERATED SCISSOR JACKING BEAM

Ser. No. 17L / ****_****

<u>ITEM No.</u>	<u>DESCRIPTION</u>	<u>QTY</u>	<u>PART No.</u>
1	FRAME	1	1501L
2	RAM ASSEMBLY COMPLETE	1	1502L
	SERVICE EXCHANGE RAM	1	1502LE
	RAM SEAL KIT	1	1502K
3	POWER PACK ASSEMBLY COMPLETE	1	1503
	SERVICE EXCHANGE POWER PACK	1	1503E
	PUMP SEAL KIT	1	39K
4	OUTER SCISSOR	1	1504L
5	INNER SCISSOR	1	1505L
6	SPACER TUBE	1	15046
7	-		
8	OPERATING HANDLE (1106 Obsolete)	1	1506LM
9	TOP BEAM	1	1507DE
10	EXTENSION ARM - INNER	2	1508DE
11	EXTENSION ARM - OUTER LHS	1	1509DEL
	EXTENSION ARM - OUTER RHS	1	1509DER
12	TOP ROLLER AXLE	1	1509
13	TOP ROLLER	2	1510
14	BEAM PIVOT PIN	1	1511
15	CYLINDER PIVOT PIN	1	1512
16	PISTON PIVOT PIN	1	1513
17	POWER PACK MOUNTING BOLT SET	1	1114
18	SUPPORT ARM BOLT SET – FLAT ARMS	4	153310
18A	SUPPORT ARM STOP BOLT – HOOK ARMS (Fit No Washers)	2	133404
19	CIRCLIP SET	1	1516
20	BOTTOM ROLLER AXLE	1	1517
21	PLUNGER LINK	2	1118
22	PLUNGER LINK PIN	3	1119
23	NYLOC NUT	3	M8 NYLOC
24	BOTTOM ROLLER	2	1520
25	FIXED AXLE	1	1521
26	SCISSOR PIVOT PIN	1	1522
27	EXTENSION ARM STOP PIN	2	15084DE
28	RETURN SPRING	2	1124
29	HYDRAULIC HOSE	1	1525L
30	SUPPORT ARM (FLAT TYPE) –	Quote Support Arm Pt No.	1pr
31	RAISER BLOCK – SHORT – 25mm	2	1526
32	RAISER BLOCK – TALL – 95/78mm	2	1527
33	LIFTING PAD ASSEMBLY	2	1532A
34	REPLACEMENT RUBBER PAD	2	15324
35	SUPPORT ARM (HOOK TYPE) –	Quote Support Arm Pt No.	1pr
36	LOCKING CATCH	1	1528
37	RETAINING PIN	1	1531
38	LOCKING CATCH SPINDLE	1	1529
39	RELEASE LEVER	1	1331
40			
41	SPRING STOP	4	153305
42	RETAINING PIN	4	153307
43	OUTER SPRING	4	1533081
44	INNER SPRING	4	1533082
45	SPRING PAD	4	133304
46	AXLE BRACKET	4	153302
47	ROLLER AXLE	Quote Support Arm Pt No.	4
48	ROLLER (FLAT TYPE SUPPORT) Ø35	4	133309
49	ROLLER SPACER (FLAT SUPPORT)	Quote Support Arm Pt No.	4
50	ROLLER SPACER (HOOK SUPPORT)	Quote Support Arm Pt No.	4
51	LOWER FINGER GUARD	2	153802LP
52	FINGER GUARD SET (Containing Items 51, 52A to 52D, 53 & 54)	1	1538L
52A	UPPER GUARD SCREW & INTERNAL SHAKEPROOF WASHER	10)
52B	GUIDE STRIP RETAINING SCREW	4) 133804
52C	GUARD RETAINING NUT	4)
52D	WASHER FOR ABOVE	4)
53	GUIDE STRIP	2	153803LP
54	UPPER FINGER GUARD	2	153801LP
55	ROLLER (HOOK TYPE SUPPORT) Ø30mm	8	133409
56	-		
57	-		
58	-		
59	M6x12 SOCKET HEAD CAP SCREW	4	15076DE
60	M6 SINGLE COIL SPRING WASHER	4	15078DE