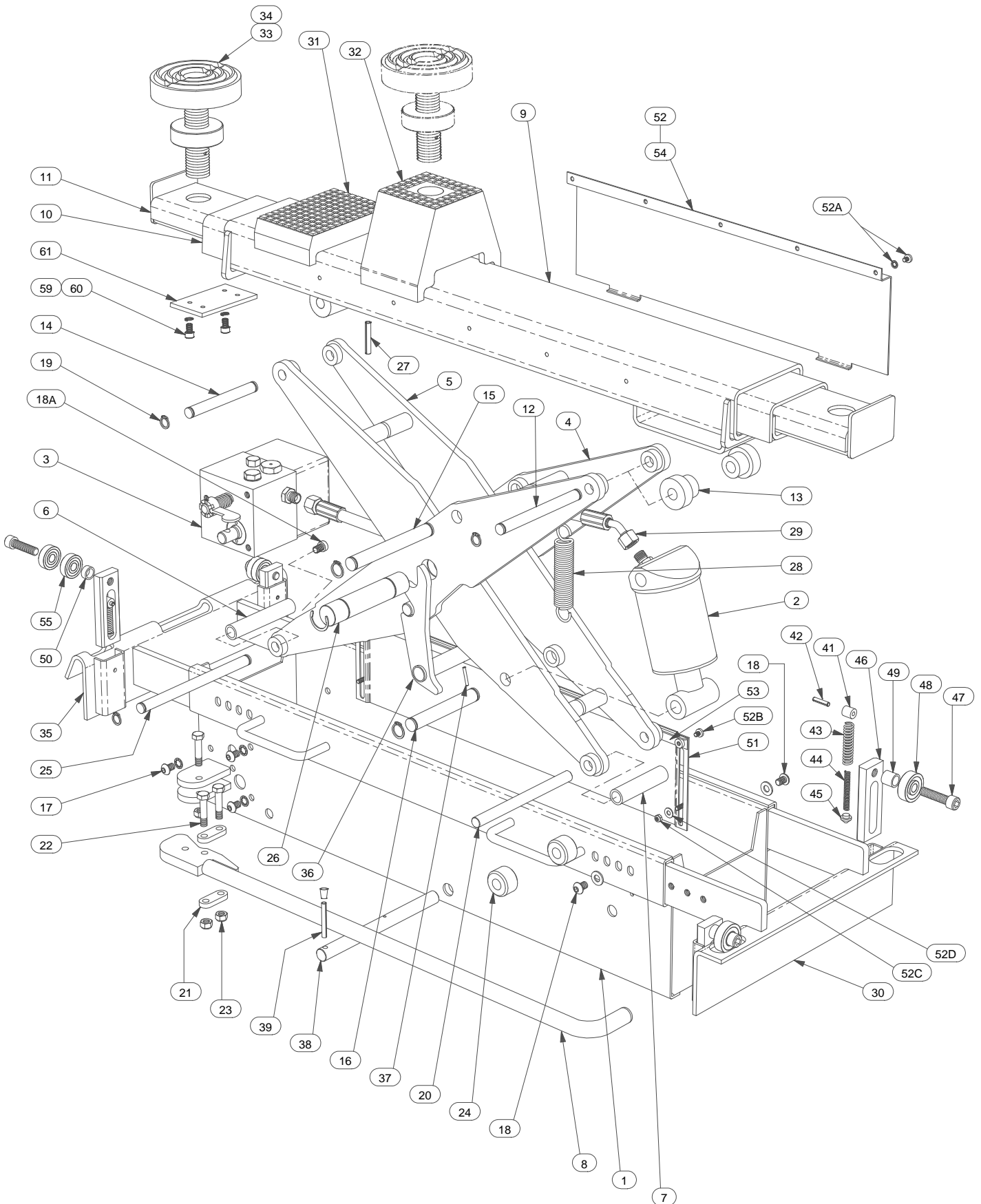


HPJ 2.0 TONNE HAND OPERATED SCISSOR JACKING BEAM

Ser. No. 13L / ****_****



HPJ 2.0 TONNE HAND OPERATED SCISSOR JACKING BEAM

Ser. No. 13L / ****_****

<u>ITEM No.</u>	<u>DESCRIPTION</u>	<u>QTY</u>	<u>PART No.</u>
1	FRAME	1	1301L (1301LN)
2	RAM ASSEMBLY COMPLETE	1	1302L
	SERVICE EXCHANGE RAM	1	1302LE
	RAM SEAL KIT	1	1302K
3	POWER PACK ASSEMBLY COMPLETE	1	1303L
	SERVICE EXCHANGE POWER PACK	1	1303E
	PUMP SEAL KIT	1	1103K
4	OUTER SCISSOR	1	1304L
5	INNER SCISSOR	1	1305L
6	SPACER TUBE	1	13046
7	SPACER TUBE	1	13053
8	OPERATING HANDLE (1306L Obsolete)	1	1306LM
9	TOP BEAM	1	1307DE
10	EXTENSION ARM - INNER	2	1308DE
11	EXTENSION ARM - OUTER LHS	1	1309DEL
	EXTENSION ARM - OUTER RHS	1	1309DER
12	TOP ROLLER AXLE	1	1309
13	TOP ROLLER	2	1310
14	BEAM PIVOT PIN	1	1311
15	CYLINDER PIVOT PIN	1	1312
16	PISTON PIVOT PIN	1	1313
17	PUMP MOUNTING BOLT SET	1	1114
18	SUPPORT ARM BOLT SET – FLAT ARMS	4	133310
18A	SUPPORT ARM STOP BOLT – HOOK ARMS (Fit No Washers)	2	133404
19	CIRCLIP SET	1	1316
20	BOTTOM ROLLER AXLE	1	1317
21	PLUNGER LINK	2	1118
22	PLUNGER LINK PIN	3	1119
23	NYLOC NUT	3	M8 NYLOC
24	BOTTOM ROLLER	2	1320
25	FIXED AXLE	1	1321
26	SCISSOR PIVOT PIN	1	1322
27	STOP PIN TUBE	2	15084
28	RETURN SPRING	1	1124
29	HYDRAULIC HOSE	1	1125 (1325N)
30	SUPPORT ARM (FLAT TYPE) – Typical Quote Support Arm Pt No.	1pr	
31	RAISER BLOCK – SHORT - 25mm	2	1526
32	RAISER BLOCK – TALL – 95/78mm (optional extra)	2	1527
33	LIFTING PAD ASSEMBLY	2	1532A
34	REPLACEMENT RUBBER PAD	2	1532A
35	SUPPORT ARM (HOOK TYPE) – Typical Quote Support Arm Pt No.	1pr	
36	LOCKING CATCH	1	1328
37	RETAINING PIN	1	1531
38	LOCKING CATCH SPINDLE	1	1329
39	RELEASE LEVER	1	1331
40			
41	SPRING STOP	4	133305
42	RETAINING PIN	4	133307
43	OUTER SPRING	4	1333081
44	INNER SPRING	4	1333082
45	SPRING PAD	4	133304
46	AXLE BRACKET	4	133302
47	ROLLER AXLE Quote Support Arm Pt No.	4	
48	ROLLER (FLAT SUPPORT) Ø35mm	4	133309
49	ROLLER SPACER (FLAT SUPPORT) – Quote Support Arm Pt No.	4	
50	ROLLER SPACER (HOOK SUPPORT) - Quote Support Arm Pt No.	4	
51	LOWER FINGER GUARD	2	133002L
52	FINGER GUARD SET (Containing Items 51, 52A to 52D, 53 & 54)	1	1330L
52A	UPPER GUARD SCREW & INTERNAL SHAKEPROOF WASHER	10)
52B	GUIDE STRIP RETAINING SCREW	4)
52C	GUARD RETAINING NUT	4) 133804
52D	WASHER FOR ABOVE	4)
53	GUIDE STRIP	2	133003L
54	UPPER FINGER GUARD	2	133001L
55	ROLLER (HOOK TYPE SUPPORT) Ø30mm	8	133409
56	-		
57	-		
58	-		
59	M6x12 SOCKET HEAD CAP SCREW	4	15076DE
60	M6 SINGLE COIL SPRING WASHER	4	15078DE
61	STOP PLATE	2	15075DE