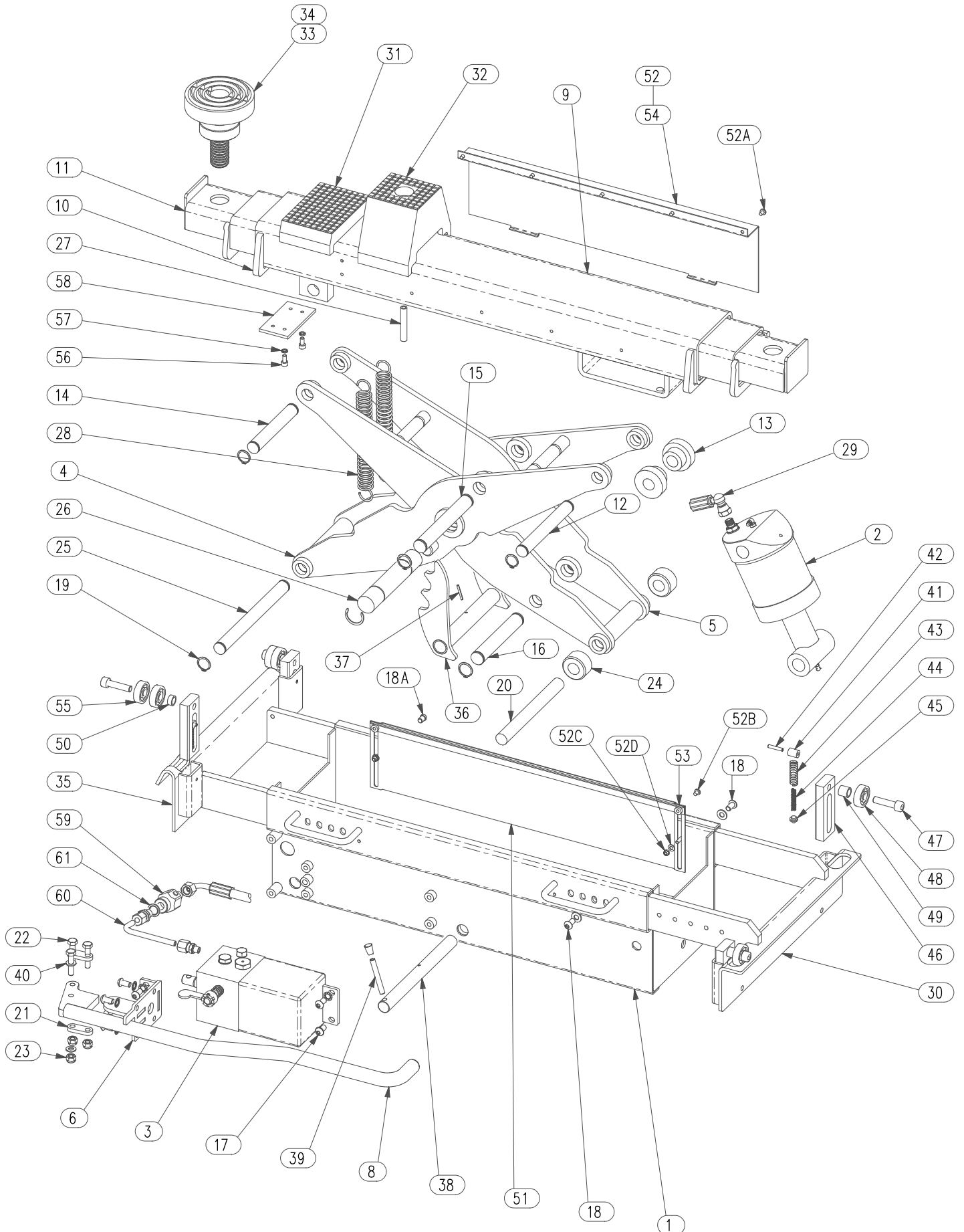


HPJ 2.8 TONNE HIGH LIFT NARROW HAND OPERATED SCISSOR JACKING BEAM

Ser. No. 17HN / ****-****



2.8 TONNE HIGH LIFT NARROW HAND OPERATED SCISSOR JACKING BEAM

Ser. No. 17HN / ****_****

<u>ITEM No.</u>	<u>DESCRIPTION</u>	<u>QTY</u>	<u>PART No.</u>
1	FRAME	1	HSN1601
2	RAM ASSEMBLY COMPLETE	1	H1602
	SERVICE EXCHANGE RAM	1	H1602E
	RAM SEAL KIT	1	1502K
3	POWER PACK ASSEMBLY COMPLETE	1	HSN1503
	SERVICE EXCHANGE POWER PACK	1	HSN1503E
	PUMP SEAL KIT	1	1103K
4	OUTER SCISSOR	1	H1604
5	INNER SCISSOR	1	H1605
6	L.H. PUMP MOUNTING BRACKET	1	SN1523
7	-		
8	OPERATING HANDLE	1	SN1506
9	TOP BEAM	1	HSN1606DEN
10	EXTENSION ARM – INNER LHS	1	L1508DEL
	EXTENSION ARM – INNER RHS	1	L1508DER
11	EXTENSION ARM - OUTER LHS	1	L1509DEL
	EXTENSION ARM - OUTER RHS	1	L1509DER
12	TOP ROLLER AXLE	1	1509
13	TOP ROLLER	2	1510
14	BEAM PIVOT PIN	1	1511
15	CYLINDER PIVOT PIN	1	1512
16	PISTON PIVOT PIN	1	1513
17	POWER PACK MOUNTING BOLT SET	1	SN1314
18	SUPPORT ARM BOLT SET – FLAT ARMS	4	153310
18A	SUPPORT ARM STOP BOLT – HOOK ARMS (Fit No Washers)	2	133404
19	CIRCLIP SET	1	1516
20	BOTTOM ROLLER AXLE	1	1517
21	PLUNGER LINK	2	1118
22	PLUNGER LINK PIN	3	1119
23	NYLOC NUT	3	M8 NYLOC
24	BOTTOM ROLLER	2	1520
25	FIXED AXLE	1	1521
26	SCISSOR PIVOT PIN	1	1522
27	EXTENSION ARM STOP PIN	2	15084DE
28	RETURN SPRING	2	1124
29	HYDRAULIC HOSE	1	SN1525
30	SUPPORT ARM (FLAT TYPE) –	Quote Support Arm Pt No.	1pr
31	RAISER BLOCK – SHORT – 25mm		2 1526
32	RAISER BLOCK – TALL – 95/78mm		2 1527
33	LIFTING PAD ASSEMBLY		2 1532A
34	REPLACEMENT RUBBER PAD		2 15324
35	SUPPORT ARM (HOOK TYPE) –	Quote Support Arm Pt No.	1pr
36	LOCKING CATCH		1 H1628
37	RETAINING PIN		1 1531
38	LOCKING CATCH SPINDLE		1 1529
39	RELEASE LEVER		1 1331
40	PLAIN WASHER		2 M8 WASHER
41	SPRING STOP		4 153305
42	RETAINING PIN		4 153307
43	OUTER SPRING		4 1533081
44	INNER SPRING		4 1533082
45	SPRING PAD		4 133304
46	AXLE BRACKET		4 153302
47	ROLLER AXLE	Quote Support Arm Pt No.	4
48	ROLLER (FLAT TYPE SUPPORT) Ø35mm		4 133309
49	ROLLER SPACER (FLAT SUPPORT)	Quote Support Arm Pt No.	4
50	ROLLER SPACER (HOOK SUPPORT)	Quote Support Arm Pt No.	4
51	LOWER FINGER GUARD		2 H163002
52	FINGER GUARD SET (Containing Items 51, 52A to 52D, 53 & 54)		1 1538L
52A	UPPER GUARD SCREW & INTERNAL SHAKEPROOF WASHER		10)
52B	GUIDE STRIP RETAINING SCREW		4)
52C	GUARD RETAINING NUT		4) 133804
52D	WASHER FOR ABOVE		4)
53	GUIDE STRIP		2 153803LP
54	UPPER FINGER GUARD		2 H163001
55	ROLLER (HOOK TYPE SUPPORT) Ø30mm		8 133409
56	M6x12 SOCKET HEAD CAP SCREW		4 15076DE
57	M6 SINGLE COIL SPRING WASHER		4 15078DE
58	STOP PLATE		2 15075DE
59	HYDRAULIC FITTINGS KIT		1 SN1624
60	PUMP OUTLET PIPE		1 SN1526
61	BONDED WASHER		1 7G