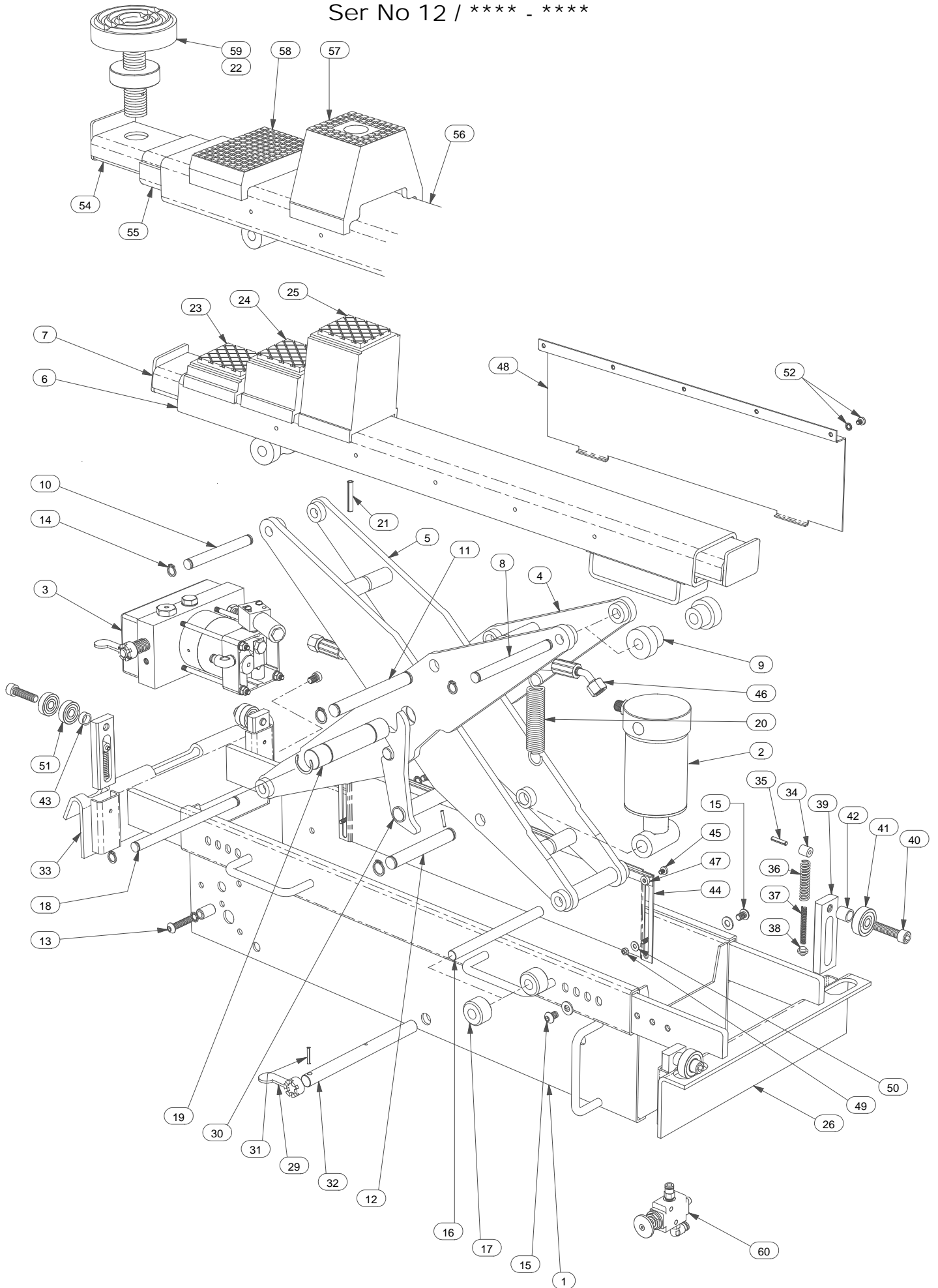


MPJ 1.5 TONNE AIR OPERATED JACKING BEAM

Ser No 12 / **** - ****



MPJ 1.5 TONNE AIR OPERATED JACKING BEAM

Ser. No. 12 / ****-****

<u>ITEM No.</u>	<u>DESCRIPTION</u>	<u>QTY</u>	<u>PART No.</u>
1	FRAME	1	1401
2	RAM ASSEMBLY COMPLETE	1	1302
	Pre Dec 98		
	Dec 98 – Oct 02	1	1202
	SERVICE EXCHANGE RAM	1	1302E
	Pre Dec 98		
	Dec 98 – Oct 02	1	1202E
	RAM SEAL KIT	1	1302K
3	POWER PACK ASSEMBLY COMPLETE	1	1203
	SERVICE EXCHANGE POWER PACK	1	1203E
	PUMP SEAL KIT	1	1203K
4	OUTER SCISSOR	1	1304
5	INNER SCISSOR	1	1305
	Pre Dec 98		
	Dec 98 – Oct 02		1205
6	TOP BEAM	1	1307
7	EXTENSION ARM	2	1108
8	TOP ROLLER AXLE	1	1309
9	TOP ROLLER	2	1310
10	BEAM PIVOT PIN	1	1311
11	CYLINDER PIVOT PIN	1	1312
12	PISTON PIVOT PIN	1	1313
13	PUMP MOUNTING BOLT SET	3	1114
14	CIRCLIP SET	1	1316
15	SUPPORT ARM BOLT SET – FLAT ARMS	4	133310
	SUPPORT ARM STOP BOLT – HOOK ARMS	2	133404
16	ROLLER AXLE	1	1317
17	BOTTOM ROLLER	2	1320
18	FIXED AXLE	1	1321
19	SCISSOR PIVOT PIN	1	1322
20	RETURN SPRING	1	1124
21	EXTENSION ARM STOP PIN	2	1123
22	REPLACEMENT RUBBER PAD	2	15324
23	RAISER BLOCK - SMALL	2	112601
24	RAISER BLOCK - MEDIUM	2	112602
25	RAISER BLOCK - TALL	2	112603
26	SUPPORT ARM (FLAT TYPE) – PAIR	1	1333
27			
27A			
28			
29	RELEASE LEVER	1	110307
30	LOCKING CATCH	1	1328
31	RETAINING PIN	1	110308
32	LOCKING CATCH SPINDLE	1	1329
33	SUPPORT ARM (HOOK TYPE) – PAIR	1	1334
34	SPRING STOP	4	133305
35	RETAINING PIN	4	133307
36	OUTER SPRING	4	1333081
37	INNER SPRING	4	1333082
38	SPRING PAD	4	133304
39	AXLE BRACKET	4	133302
40	ROLLER AXLE	4	133306
41	ROLLER (FLAT TYPE SUPPORT)	4	133309
42	ROLLER SPACER (FLAT TYPE SUPPORT)	4	133303
43	ROLLER SPACER (HOOK TYPE SUPPORT)	4	133403
44	LOWER FINGER GUARD	2	133802
45	GUIDE STRIP RETAINING SCREW	4	**
46	HYDRAULIC HOSE	1	1225
47	GUIDE STRIP	2	133803
48	UPPER FINGER GUARD	2	133801
49	GUARD RETAINING NUT	4	**
50	WASHER FOR ABOVE	4	**
51	ROLLER (HOOK TYPE SUPPORT)	8	133409
52	UPPER GUARD SCREW	10	**
54	DOUBLE EXTENSION ARM – OUTER LH	1	1309DEL
	DOUBLE EXTENSION ARM – OUTER RH	1	1309DER
55	DOUBLE EXTENSION ARM - INNER	2	1308DE
56	DOUBLE EXTENSION TOP BEAM	1	1307DE
57	DOUBLE EXTENSION RAISER BLOCK - MEDIUM	2	1527
58	DOUBLE EXTENSION RAISER BLOCK - SHORT	2	1526
59	DOUBLE EXTENSION LIFTING PAD	2	1532A

60
**

CONTROL VALVE
ITEMS CONTAINED IN FINGER GUARD FIXING SET

1
1

140404
133804