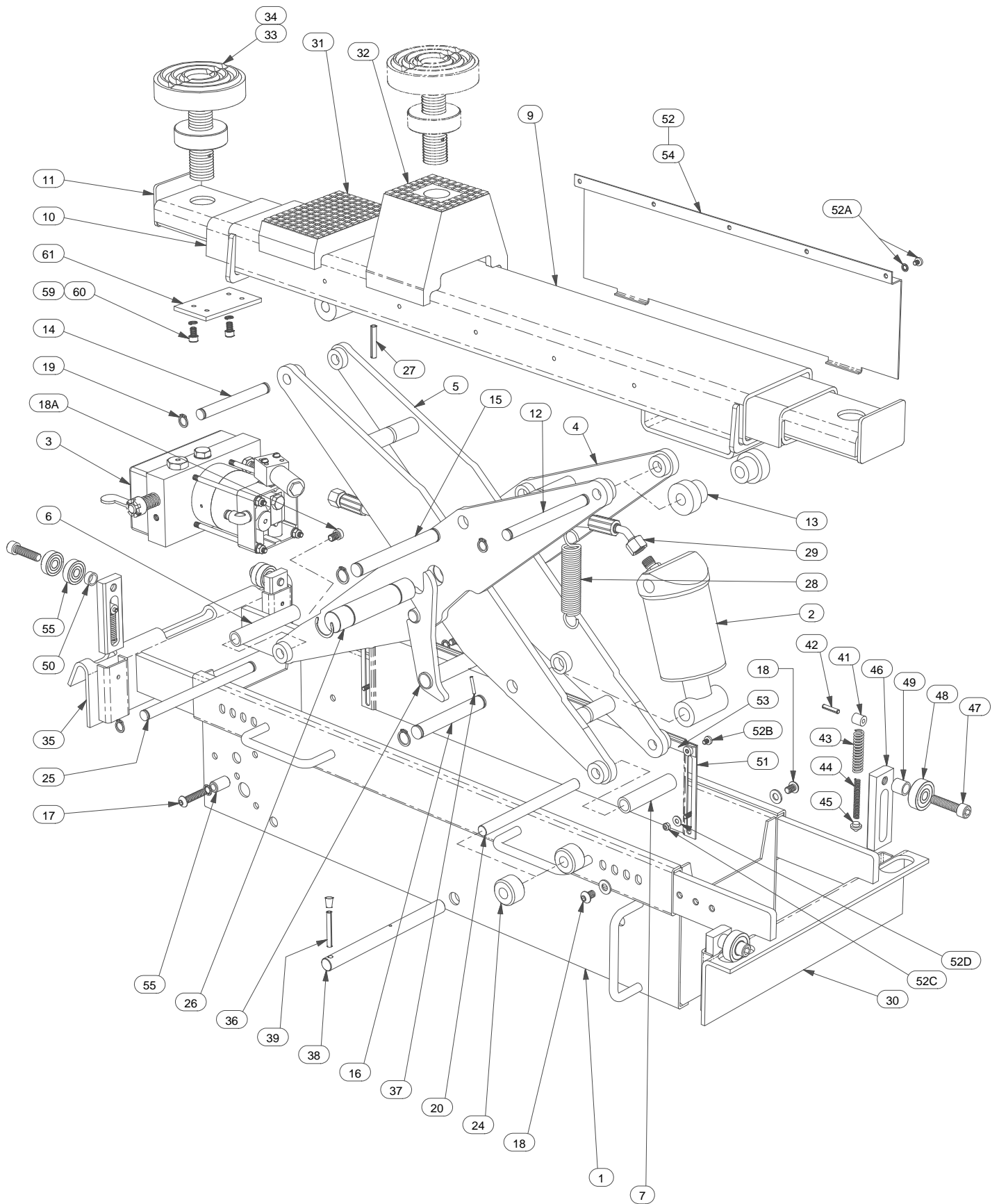


MPJ 2.0 TONNE AIR OPERATED SCISSOR JACKING BEAM

Ser. No. 14L / *****_****



MPJ 2.0 TONNE AIR OPERATED SCISSOR JACKING BEAM

Ser. No. 14L / ****-****

<u>ITEM No.</u>	<u>DESCRIPTION</u>	<u>QTY</u>	<u>PART No.</u>
1	FRAME	1	1401L (1401LN)
2	RAM ASSEMBLY COMPLETE	1	1302L
	SERVICE EXCHANGE RAM	1	1302LE
	RAM SEAL KIT	1	1302K
3	POWER PACK ASSEMBLY COMPLETE	1	1403L (1403LN)
	SERVICE EXCHANGE POWER PACK	1	1403LE
	PUMP SEAL KIT	1	39K
4	OUTER SCISSOR	1	1304L
5	INNER SCISSOR	1	1305L
6	SPACER TUBE	1	13046
7	SPACER TUBE	1	13053
8	-		
9	TOP BEAM	1	1307DE
10	EXTENSION ARM - INNER	2	1308DE
11	EXTENSION ARM - OUTER LHS	1	1309DEL
	EXTENSION ARM - OUTER RHS	1	1309DER
12	TOP ROLLER AXLE	1	1309
13	TOP ROLLER	2	1310
14	BEAM PIVOT PIN	1	1311
15	CYLINDER PIVOT PIN	1	1312
16	PISTON PIVOT PIN	1	1313
17	POWER PACK MOUNTING BOLT SET	1	1214
18	SUPPORT ARM BOLT SET – FLAT ARMS	4	133310
18A	SUPPORT ARM STOP BOLT – HOOK ARMS (Fit No Washers)	2	133404
19	CIRCLIP SET	1	1316
20	BOTTOM ROLLER AXLE	1	1317
21	-		
22	-		
23	-		
24	BOTTOM ROLLER	2	1320
25	FIXED AXLE	1	1321
26	SCISSOR PIVOT PIN	1	1322
27	EXTENSION ARM STOP PIN	2	15084
28	RETURN SPRING	1	1124
29	HYDRAULIC HOSE	1	1125 (1325N)
30	SUPPORT ARM (FLAT TYPE) —	1pr	Quote Support Arm Pt No.
31	RAISER BLOCK – SHORT – 25mm	2	1526
32	RAISER BLOCK – TALL- 95/78mm	2	1527
33	LIFTING PAD ASSEMBLY	2	1532A
34	REPLACEMENT RUBBER PAD	2	15324
35	SUPPORT ARM (HOOK TYPE) —	1pr	Quote Support Arm Pt No.
36	LOCKING CATCH	1	1328
37	RETAINING PIN	1	1531
38	LOCKING CATCH SPINDLE	1	1329
39	RELEASE LEVER	1	1331
40			
41	SPRING STOP	4	133305
42	RETAINING PIN	4	133307
43	OUTER SPRING	4	1333081
44	INNER SPRING	4	1333082
45	SPRING PAD	4	133304
46	AXLE BRACKET	4	133302
47	ROLLER AXLE	4	Quote Support Arm Pt No.
48	ROLLER (FLAT TYPE SUPPORT)	4	Ø35mm 133309
49	ROLLER SPACER (FLAT SUPPORT)	4	Quote Support Arm Pt No.
50	ROLLER SPACER (HOOK SUPPORT)	4	Quote Support Arm Pt No.
51	LOWER FINGER GUARD	2	133002L
52	FINGER GUARD SET (Containing Items 51, 52A to 52D, 53 & 54)	1	1330L
52A	UPPER GUARD SCREW & INTERNAL SHAKEPROOF WASHER	10) 133804
52B	GUIDE STRIP RETAINING SCREW	4)
52C	GUARD RETAINING NUT	4)
52D	WASHER FOR ABOVE	4)
53	GUIDE STRIP	2	133003L
54	UPPER FINGER GUARD	2	133001L
55	ROLLER (HOOK TYPE SUPPORT) Ø 30mm	8	133409
56	STOP – RELEASE LEVER	1	1206
57	-		
58	-		
59	M6x12 SOCKET HEAD CAP SCREW	4	15076DE
60	M6 SINGLE COIL SPRING WASHER	4	15078DE