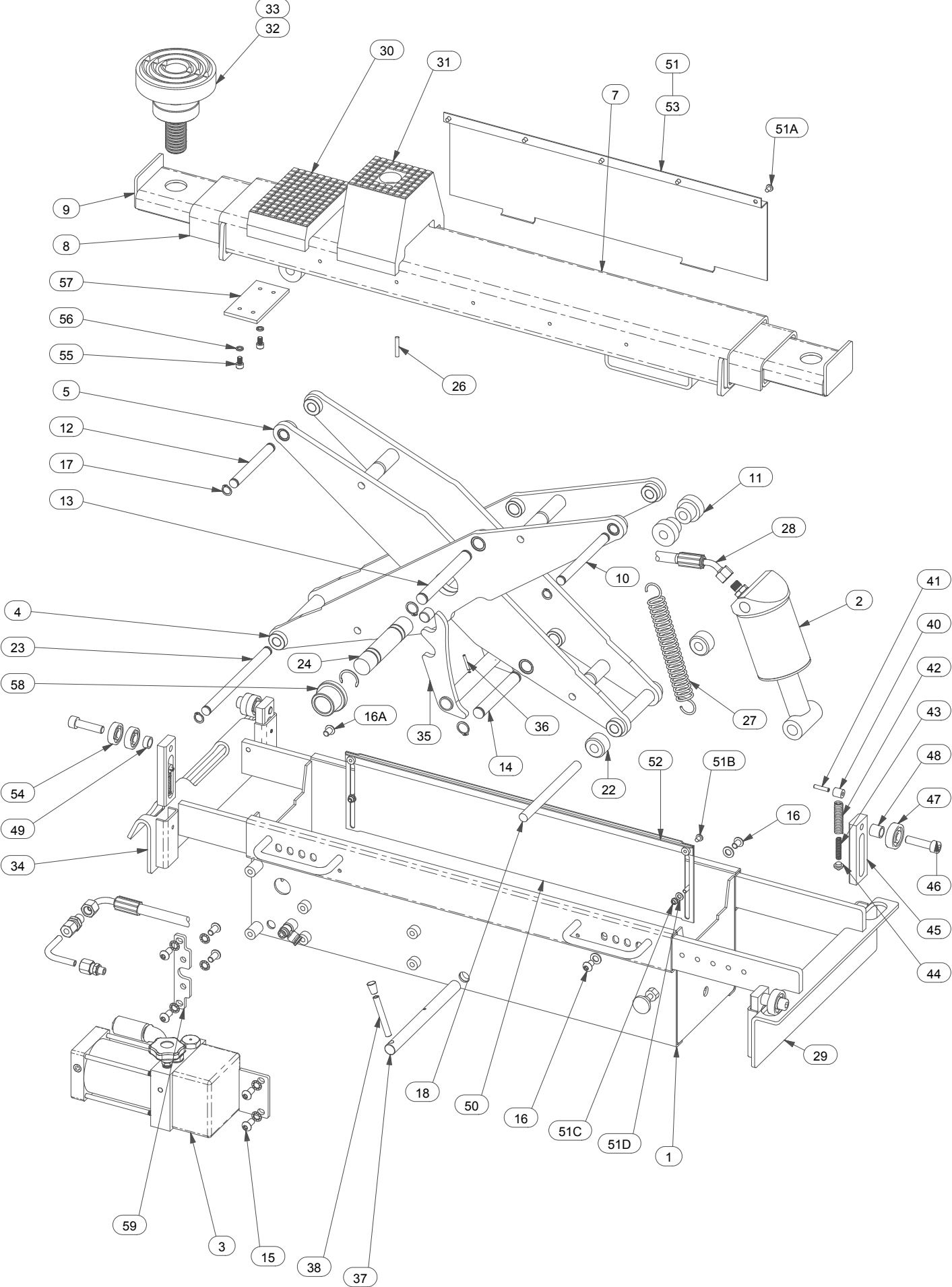


# MPJ 2.0 TONNE NARROW AIR OPERATED SCISSOR JACKING BEAM

Ser. No. 14LN / \*\*\*\*\_\*\*\*\*



# MPJ 2.0 TONNE NARROW AIR OPERATED SCISSOR JACKING BEAM

Ser. No. 14LN / \*\*\*\*\_\*\*\*\*

<u>ITEM No.</u>	<u>DESCRIPTION</u>	<u>QTY</u>	<u>PART No.</u>
1	FRAME	1	SN1301
2	RAM ASSEMBLY COMPLETE	1	1302L
	SERVICE EXCHANGE RAM	1	1302LE
	RAM SEAL KIT	1	1302K
3	POWER PACK ASSEMBLY COMPLETE	1	SN1453
	SERVICE EXCHANGE POWER PACK	1	1303E
	PUMP SEAL KIT	1	1103K
4	OUTER SCISSOR	1	1304SB
5	INNER SCISSOR	1	1305SB
6			
7	TOP BEAM	1	T1307DEN
8	EXTENSION ARM - INNER	2	1308DE
9	EXTENSION ARM - OUTER LHS	1	T1309DEL
	EXTENSION ARM - OUTER RHS	1	T1309DER
10	TOP ROLLER AXLE	1	1309
11	TOP ROLLER	2	1310
12	BEAM PIVOT PIN	1	1311
13	CYLINDER PIVOT PIN	1	1312
14	PISTON PIVOT PIN	1	1313
15	PUMP MOUNTING BOLT SET	8	SN1314
16	SUPPORT ARM BOLT SET – FLAT ARMS	4	133310
16A	SUPPORT ARM STOP BOLT – HOOK ARMS (Fit No Washers)	2	133404
17	CIRCLIP SET	1	1316
18	BOTTOM ROLLER AXLE	1	1317
19	-		
20	-		
21	-		
22	BOTTOM ROLLER	2	1320
23	FIXED AXLE	1	1321
24	SCISSOR PIVOT PIN	1	1322SB
25			
26	EXTENSION ARM STOP PIN	2	1123
27	RETURN SPRING	1	1124
28	HYDRAULIC HOSE	1	SN1125
29	SUPPORT ARM (FLAT TYPE) – Typical   Quote Support Arm Pt No.	1pr	
30	RAISER BLOCK – SHORT - 25mm	2	1526
31	RAISER BLOCK – TALL – 95/78mm	2	1527
32	LIFTING PAD ASSEMBLY	2	1532A
33	REPLACEMENT RUBBER PAD	2	15324
34	SUPPORT ARM (HOOK TYPE) – Typical   Quote Support Arm Pt No.	1pr	
35	LOCKING CATCH	1	1328
36	RETAINING PIN	1	110308
37	LOCKING CATCH SPINDLE	1	1329
38	RELEASE LEVER	1	1331
39	-		
40	SPRING STOP	4	133305
41	RETAINING PIN	4	133307
42	OUTER SPRING	4	1333081
43	INNER SPRING	4	1333082
44	SPRING PAD	4	133304
45	AXLE BRACKET	4	133302
46	ROLLER AXLE                           Quote Support Arm Pt No.	4	
47	ROLLER (FLAT SUPPORT)   Ø35mm	4	133309
48	ROLLER SPACER (FLAT SUPPORT) – Quote Support Arm Pt No.	4	
49	ROLLER SPACER (HOOK SUPPORT) - Quote Support Arm Pt No.	4	
50	LOWER FINGER GUARD	2	133002L
51	FINGER GUARD SET (Containing Items 50, 51A to 51D, 52 & 53)	1	1330L
51A	UPPER GUARD SCREW & INTERNAL SHAKEPROOF WASHER	10	)
51B	GUIDE STRIP RETAINING SCREW	4	)
51C	GUARD RETAINING NUT	4	)   133804
51D	WASHER FOR ABOVE	4	)
52	GUIDE STRIP	2	133003L
53	UPPER FINGER GUARD	2	133001L
54	ROLLER (HOOK TYPE SUPPORT)   Ø30mm	8	133409
55	M6x12 SOCKET HEAD CAP SCREW	4	15076DE
56	M6 SINGLE COIL SPRING WASHER	4	15078DE
57	STOP PLATE	2	15075DE
58	BOSS – CENTRE PIVOT	2	13042
59	LH PUMP MOUNTING BRACKET	1	SN140302