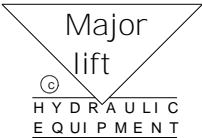
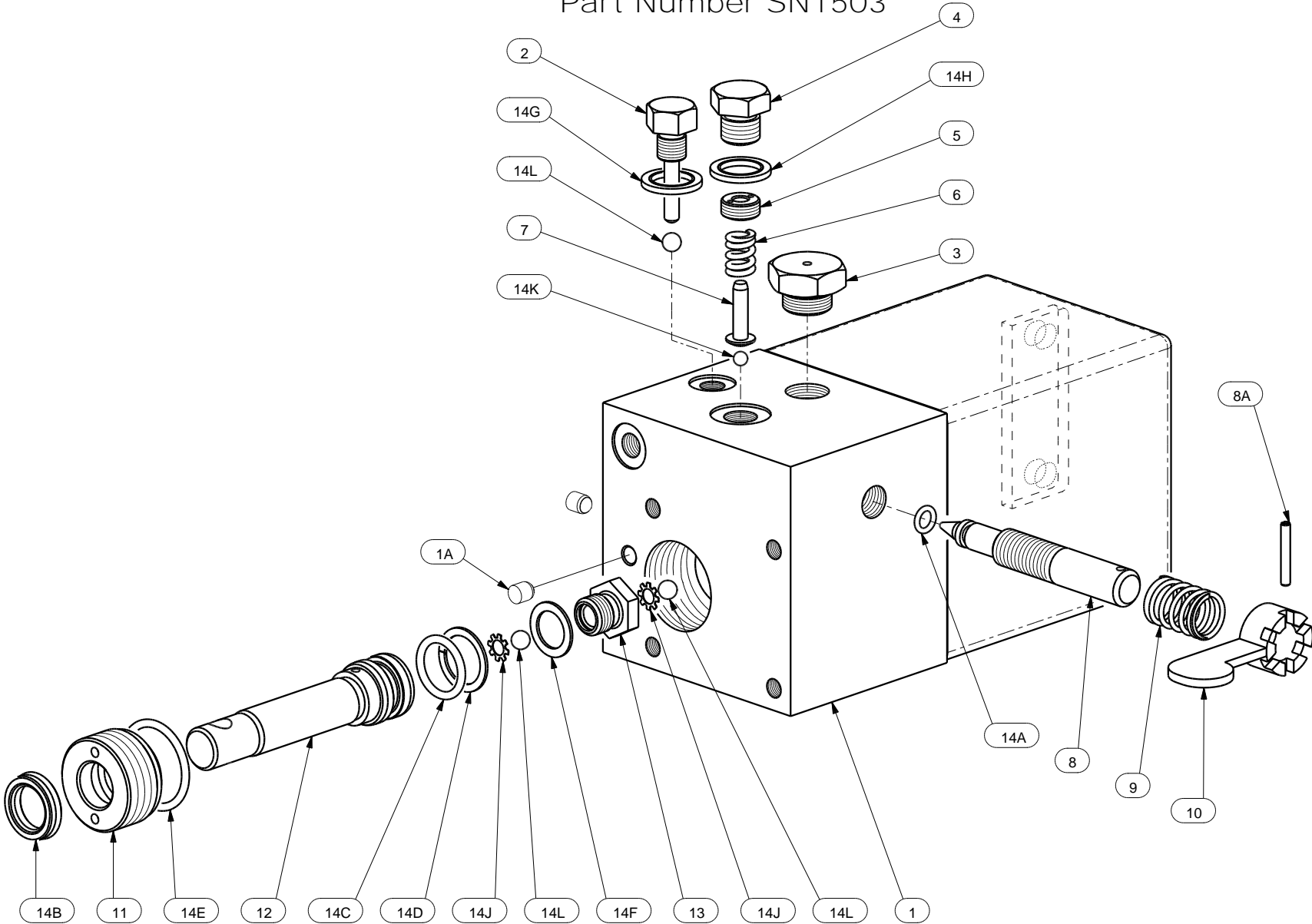


2.8 HAND OPERATED POWER PACK ASSEMBLY

Part Number SN1503



2.8 TONNE HAND OPERATED POWER PACK ASSEMBLY
Part Number SN1503

<u>ITEM No.</u>	<u>DESCRIPTION</u>	<u>QTY</u>	<u>PART No.</u>
1	VALVE BLOCK ASSEMBLY	1	150301
2	DELIVERY VALVE PLUG	1	110303
3	FILLER PLUG	1	110312
4	RELIEF VALVE PLUG	1	110316
5	RELIEF VALVE ADJUSTING COLLAR	1	110315
6	RELIEF VALVE SPRING	1	110314
7	RELIEF VALVE PISTON	1	130313
8	RELEASE SPINDLE	1	110304
8A	LEVER RETAINING PIN	1	110308
9	RELEASE LEVER SPRING	1	110310
10	RELEASE LEVER	1	110307
11	PLUNGER GLAND	1	110302
12	PUMP PLUNGER	1	SN110305
13	BY-PASS VALVE SEAT	1	110306
14	POWER PACK SEAL KIT (Containing Items 14A to 14L)	1	1103K
14A	<i>'O' Ring</i>	1	
14B	<i>'U' Ring</i>	1	
14C	<i>'D' Ring</i>	1	
14D	<i>'A.E.' Ring</i>	1	
14E	<i>'O' Ring</i>	1	
14F	<i>Copper Washer</i>	1	
14G	<i>Bonded Washer</i>	1	
14H	<i>Bonded Washer</i>	1	
14J	<i>Star Washer</i>	2	
14K	<i>Relief Valve Ball</i>	1	
14L	<i>Ball</i>	3	