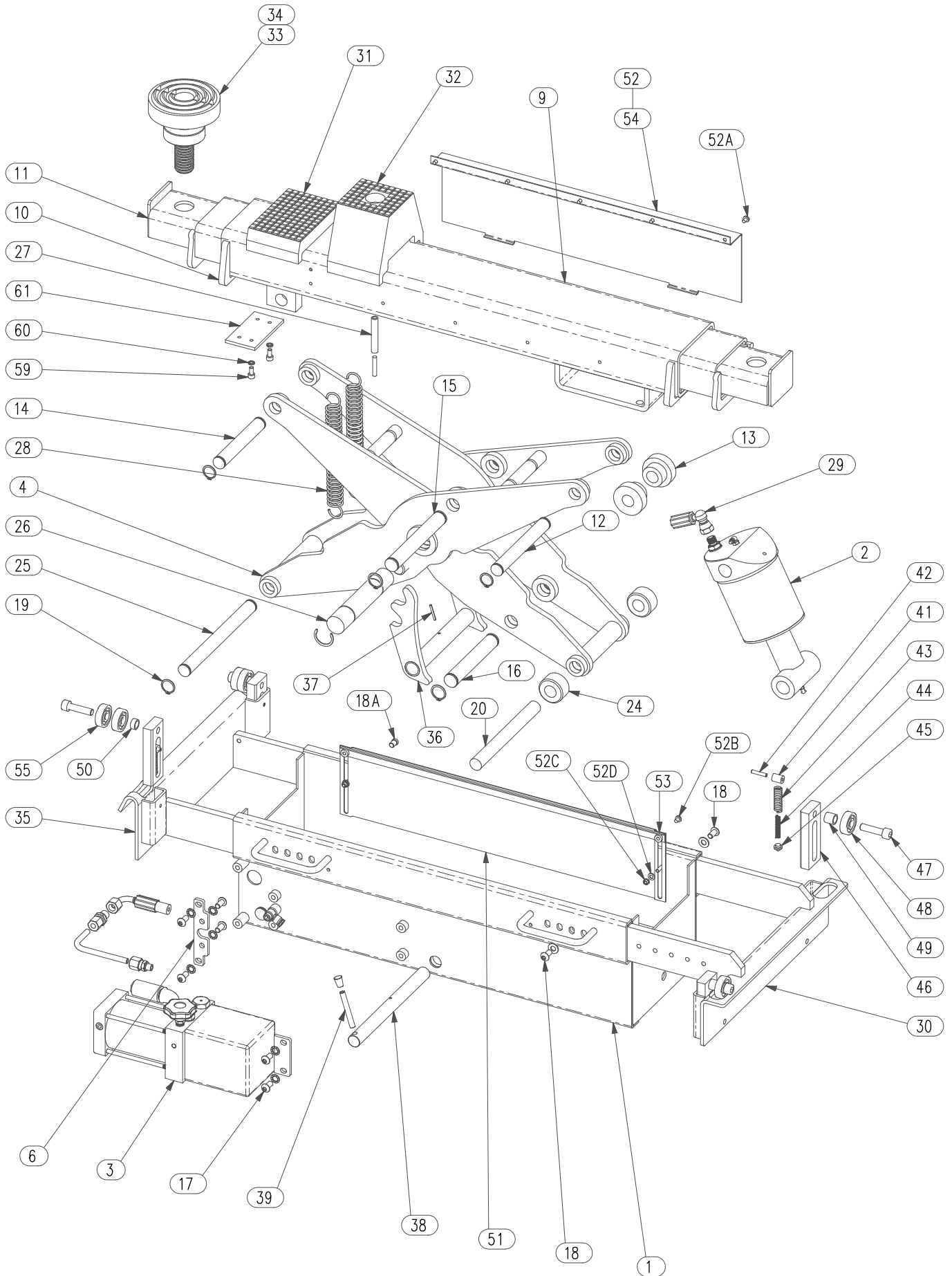


MPJ 2.8 TONNE NARROW AIR OPERATED SCISSOR JACKING BEAM

Ser. No. 17LNA / ****-****



MPJ 2.8 TONNE NARROW AIR OPERATED SCISSOR JACKING BEAM

Ser. No. 17LNA / ****_****

<u>ITEM No.</u>	<u>DESCRIPTION</u>	<u>QTY</u>	<u>PART No.</u>
1	FRAME	1	SN1501
2	RAM ASSEMBLY COMPLETE	1	1502L
	SERVICE EXCHANGE RAM	1	1502LE
	RAM SEAL KIT	1	1502K
3	POWER PACK ASSEMBLY COMPLETE	1	SN1653
	SERVICE EXCHANGE POWER PACK	1	SN1653E
	PUMP SEAL KIT	1	SN1653K
4	OUTER SCISSOR	1	1504SB
5	INNER SCISSOR	1	1505SB
6	L.H. PUMP MOUNTING BRACKET	1	SN1403
7	-		
8	-		
9	TOP BEAM	1	1507DEN
10	EXTENSION ARM – INNER LHS	1	1508DEL
	EXTENSION ARM – INNER RHS	1	1508DER
11	EXTENSION ARM - OUTER LHS	1	1509DEL
	EXTENSION ARM - OUTER RHS	1	1509DER
12	TOP ROLLER AXLE	1	1509
13	TOP ROLLER	2	1510
14	BEAM PIVOT PIN	1	1511
15	CYLINDER PIVOT PIN	1	1512
16	PISTON PIVOT PIN	1	1513
17	POWER PACK MOUNTING BOLT SET	1	SN1314
18	SUPPORT ARM BOLT SET – FLAT ARMS	4	153310
18A	SUPPORT ARM STOP BOLT – HOOK ARMS (Fit No Washers)	2	133404
19	CIRCLIP SET	1	1516
20	BOTTOM ROLLER AXLE	1	1517
21	-		
22	-		
23	-		
24	BOTTOM ROLLER	2	1520
25	FIXED AXLE	1	1521
26	SCISSOR PIVOT PIN	1	1522
27	EXTENSION ARM STOP PIN	2	15084DE
28	RETURN SPRING	2	1124
29	HYDRAULIC HOSE	1	SN1525
30	SUPPORT ARM (FLAT TYPE) –	1pr	Quote Support Arm Pt No.
31	RAISER BLOCK – SHORT – 25mm	2	1526
32	RAISER BLOCK – TALL – 95/78mm	2	1527
33	LIFTING PAD ASSEMBLY	2	1532A
34	REPLACEMENT RUBBER PAD	2	15324
35	SUPPORT ARM (HOOK TYPE) –	1pr	Quote Support Arm Pt No.
36	LOCKING CATCH	1	1528
37	RETAINING PIN	1	1531
38	LOCKING CATCH SPINDLE	1	1529
39	RELEASE LEVER	1	1331
40			
41	SPRING STOP	4	153305
42	RETAINING PIN	4	153307
43	OUTER SPRING	4	1533081
44	INNER SPRING	4	1533082
45	SPRING PAD	4	133304
46	AXLE BRACKET	4	153302
47	ROLLER AXLE	4	Quote Support Arm Pt No.
48	ROLLER (FLAT TYPE SUPPORT) Ø35mm	4	133309
49	ROLLER SPACER (FLAT SUPPORT)	4	Quote Support Arm Pt No.
50	ROLLER SPACER (HOOK SUPPORT)	4	Quote Support Arm Pt No.
51	LOWER FINGER GUARD	2	153802LP
52	FINGER GUARD SET (Containing Items 51, 52A to 52D, 53 & 54)	1	1538L
52A	UPPER GUARD SCREW & INTERNAL SHAKEPROOF WASHER	10)
52B	GUIDE STRIP RETAINING SCREW	4)
52C	GUARD RETAINING NUT	4) 133804
52D	WASHER FOR ABOVE	4)
53	GUIDE STRIP	2	153803LP
54	UPPER FINGER GUARD	2	153801LP
55	ROLLER (HOOK TYPE SUPPORT) Ø30mm	8	133409
56	M6x12 SOCKET HEAD CAP SCREW	4	15076DE
57	M6 SINGLE COIL SPRING WASHER	4	15078DE
58	STOP PLATE	2	15075DE