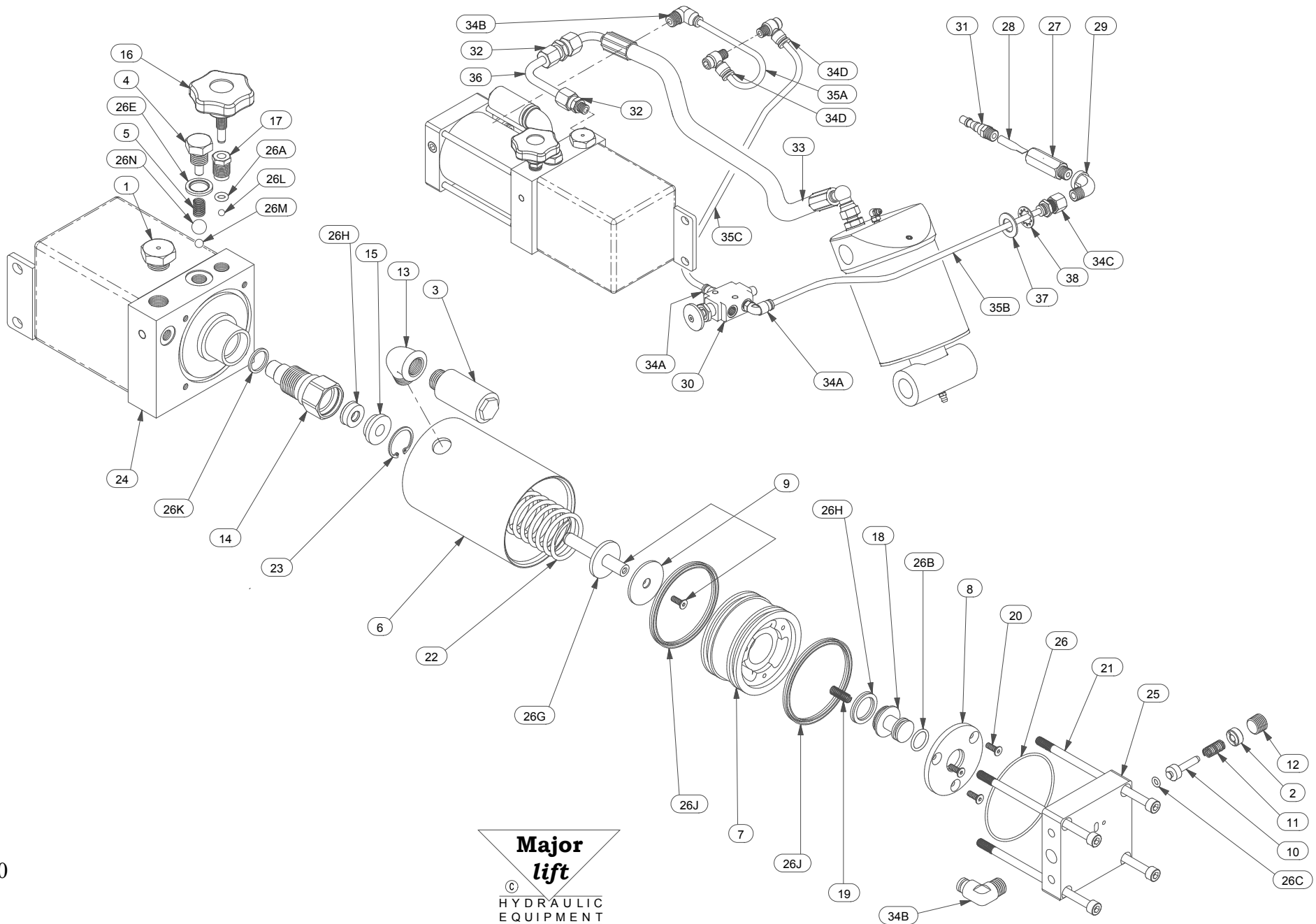


2.8 TONNE AIR OPERATED POWER PACK ASSEMBLY

Part Number SN1653



2.8 TONNE AIR OPERATED POWER PACK ASSEMBLY

Part Number SN1653

<u>ITEM No.</u>	<u>DESCRIPTION</u>	<u>QTY</u>	<u>PART No.</u>
1	FILLER PLUG	1	110312
2	RELIEF VALVE ADJUSTING COLLAR	1	110315
3	SILENCER	1	120315
4	DELIVERY VALVE PLUG	1	140302L
5	DELIVERY VALVE SPRING	1	140304L
6	AIR CYLINDER	1	145302
7	AIR PISTON	1	145304
8	PISTON END PLATE	1	145305
9	PUMP PLUNGER ASSEMBLY	1	145310
10	RELIEF VALVE PISTON	1	145311
11	RELIEF VALVE SPRING	1	145312
12	RELIEF VALVE CAP	1	145313
13	ELBOW 3/8" M+F AIR INLET	1	145314
14	PUMP BARREL	1	165308
15	PLUNGER GLAND	1	165309
16	RELEASE SPINDLE ASSEMBLY	1	5508
17	RELEASE SPINDLE GLAND	1	5509
18	SHUTTLE VALVE	1	791106
19	SHUTTLE VALVE SPRING	1	791107
20	C'SNK HEAD SCREW	3	791111
21	CYLINDER CAP HEAD SCREW	4	791112
22	AIR PISTON RETURN SPRING	1	791113
23	GLAND RETAINER	1	850306
24	VALVE BLOCK ASSEMBLY	1	SN165301
25	CYLINDER END CAP	1	145303
26	POWER PACK SEAL KIT <i>(Containing Items 26A- 26N)</i>	1	SN1653K
26A-D	<i>'O' Rings</i>	4	
26E	<i>Bonded Seal</i>	1	
26F	<i>Rod Seal</i>	1	
26G	<i>PU Washer</i>	1	
26H	<i>'U' Ring</i>	1	
26J	<i>Poly 'U'Ring</i>	1	
26K	<i>Copper Washer</i>	1	
26L-N	<i>Balls</i>	3	
27	AIR FILTER BODY	1	1210
28	AIR INLET FILTER	1	1211
29	ELBOW	1	1427
30	CONTROL VALVE	1	145404
31	AIR INLET TAILPIECE	1	39101
32	HYDRAULIC FITTING KIT	1	SN1324
33	HYDRAULIC HOSE ASSEMBLY	1	SN1525
34	AIR FITTINGS KIT <i>(Containing Items 34A- 34D)</i>	1	SN1404
34A	<i>Elbow Male Adaptor</i>	2	
34B	<i>Swivel Elbow Taper</i>	1	
34C	<i>Female Bulkhead Parallel</i>	1	
34D	<i>Banjo Elbow</i>	2	
35	POLYURETHANE TUBE SET	1	SN1605
36	PUMP OUTLET PIPE	1	SN1626
37	M14 PLAIN WASHER	1	
38	M14 INTERNAL SHAKEPROOF WASHER	1	